

# LED WRAPAROUND MHTi-STRP-ECO-SC SERIES



Project \_\_\_\_\_  
Part Number \_\_\_\_\_  
Quantity \_\_\_\_\_

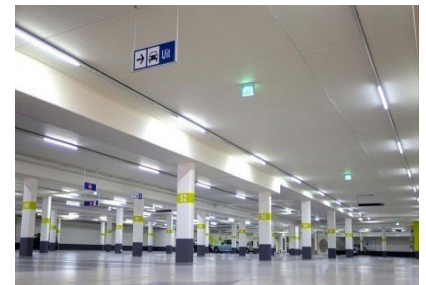


## APPLICATIONS

- Corporate Campus
- Data Center
- Education
- Healthcare
- Retail

## FEATURES

- >100,000 Hours Rated Lifespan
- 10-year Warranty
- L70 > 75,000 Hours
- Lightweight Aluminum Extrusion Housing (White)
- Wraparound White Polycarbonate Lens
- Highly Reflective White Coating
- Standard Ceiling or Wall Surface Mount
- Available Emergency Battery Backup
- CCT 3000K/3500K/4000K/5000K
- CRI > 80



Model	Input Power	Lm/W	Lumen	Dimensions
MHTi-STRP-ECO-SC-2FT-28E-35K	28W	>115	>3,000	24" x 4" x 3.5"
MHTi-STRP-ECO-SC-4FT-28E-35K	28W	>115	>3,000	48" x 4" x 3.5"

## ORDERING CODES

MHTi-STRP-ECO-SC

**Size & Wattage:** 2FT-28E=2FT-28W 4FT-28E=4FT-28W  
**Color Temperature:** 3K=3000K; 35K=3500K 4K=4000K; 5K=5000K  
**Mounting:** AC=Suspended Cable SM=Surface Mount  
**Option:** EM=Emergency Battery



Manufactured in the USA

Toll Free **888.511.7780** • [www.mhtlighting.com](http://www.mhtlighting.com)



# LED WRAPAROUND MHTi-STRP-ECO-SC SERIES

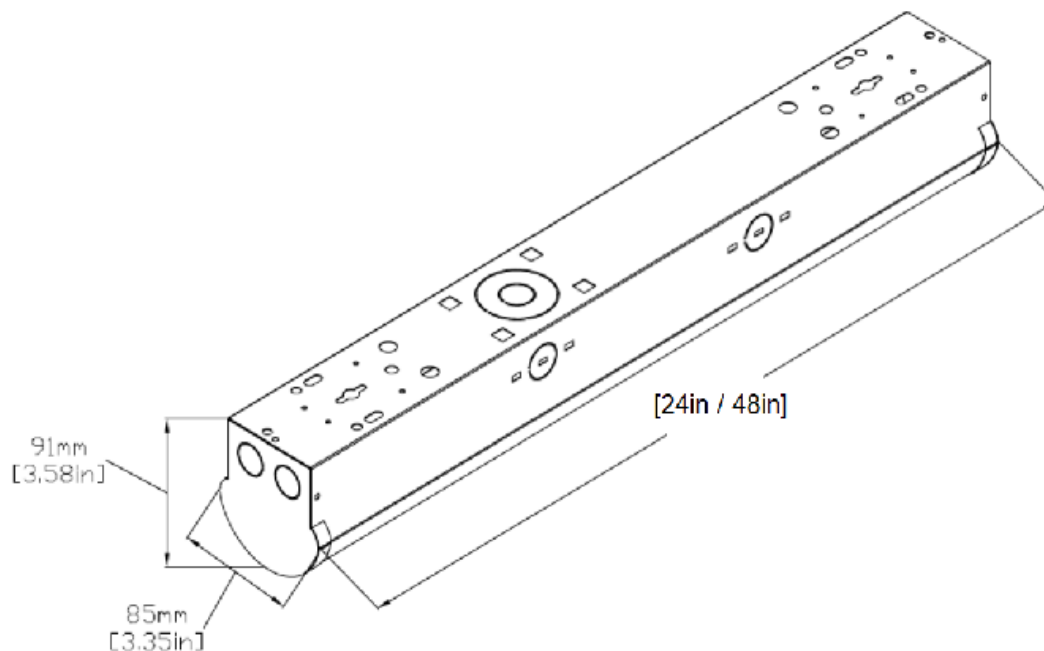
inspeXtor

Project \_\_\_\_\_

Part Number \_\_\_\_\_

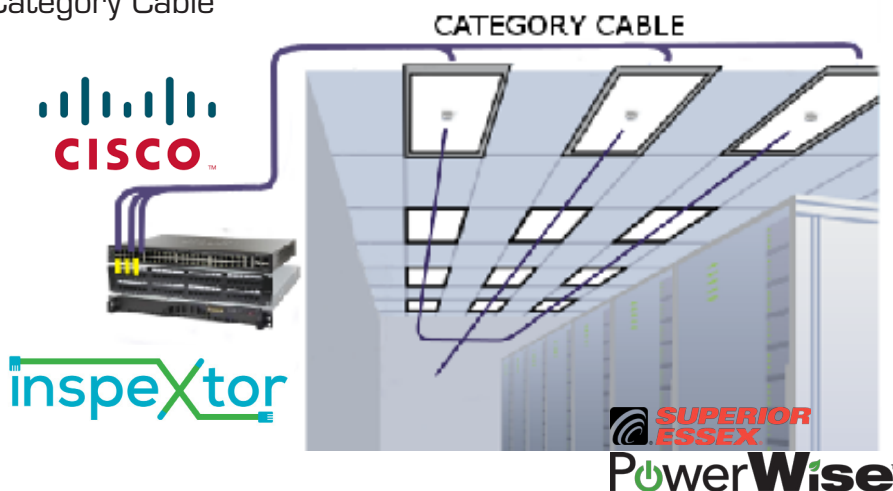
Quantity \_\_\_\_\_

## DIMENSIONS



## SYSTEM BENEFITS

- Powered by CISCO - PowerWise Category Cable
- Real-time Energy Management
- Monitor Workplace Productivity
- Reduce Installation Time
- Reduce Material Costs
- Space Utilization Reporting
- Daylight Harvesting
- Real-time Security Alerts



- MHT Products are ETL Listed and Assembled in ISO9000/1 Certified US Facility
- MHT Lighting Offers a 10-year Warranty (See Warranty Terms and Conditions)
- Every Product is Quality Tested and Inspected Prior to Shipment
- Proudly Manufactured in the USA

**MHT Manufacturing**  
1961 Richmond Terrace  
Staten Island, New York 10302  
Tel: 718.524.4370  
Fax: 718.524.4390

**West Coast Operations**  
2285 Michael Faraday Dr. Suite 10  
San Diego, California 92154  
Tel: 619.661.0600

[www.mhtlighting.com](http://www.mhtlighting.com)  
**888.511.7780**

MHT Confidential  
Rev: December 2019