

LED WRAPAROUND MHTi-WRP-SC SERIES



Project _____

Part Number _____

Quantity _____



FEATURES

- >100,000 Hours Rated Lifespan
- 10-year Warranty
- L70 > 100,000 Hours
- Lightweight Aluminum Extrusion Housing (White)
- Wraparound Clear Prismatic Acrylic Lens
- Highly Reflective White Coating
- Standard Ceiling or Wall Surface Mount
- Optional Suspended Cable Mount
- Available With Integrated Sensor
- Color Temperature 3000K to 5000K
- CRI > 80

APPLICATIONS

- Corporate Campus
- Data Center
- Education
- Healthcare
- Retail



Model	Input Power	Lm/W	Lumen	CCT	Dimensions
MHTi-WRP-SC-4FT-28E-35K	28W	120	3,300	4000K	48" x 8" x 3.5"

ORDERING CODES

MHTi-WRP-SC	<input type="text"/>	<input type="text"/>	<input type="text"/>	<input type="text"/>
	<u>Size & Wattage:</u> 4FT-28E=4FT-28W	<u>Color Temperature:</u> 3K=3000K 35K=3500K 4K=4000K 5K=5000K	<u>Mounting:</u> AC=Suspended Cable Mount SM=Surface Mount	<u>Option:</u> (Standard in White) EM=Emergency Battery



Manufactured in the USA

Toll Free **888-511-7780** • www.mhtlighting.com



LED WRAPAROUND MHTi-WRP-SC SERIES

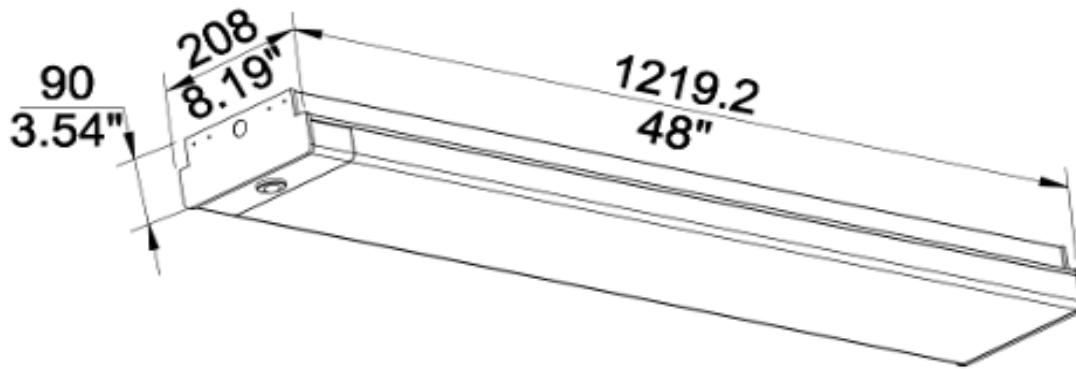
inspeXtor

Project _____

Part Number _____

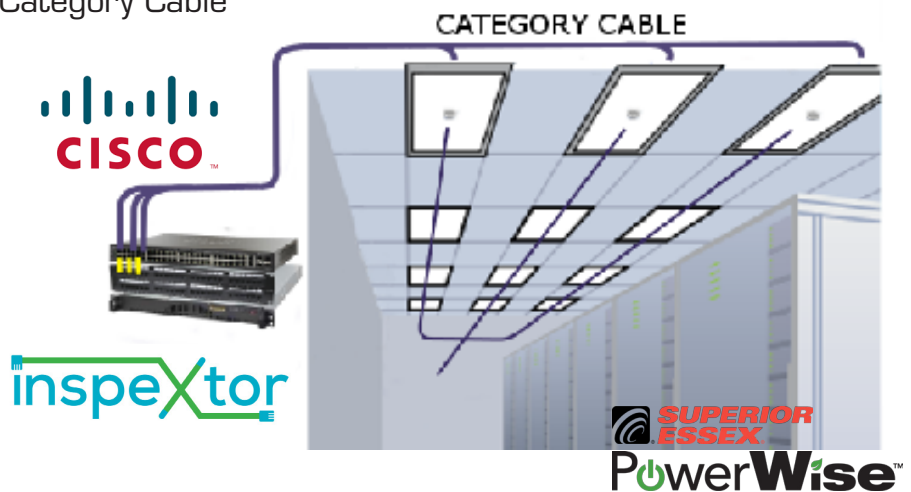
Quantity _____

DIMENSIONS



SYSTEM BENEFITS

- Powered by CISCO - PowerWise Category Cable
- Real-time Energy Management
- Monitor Workplace Productivity
- Reduce Installation Time
- Reduce Material Costs
- Space Utilization Reporting
- Daylight Harvesting
- Real-time Security Alerts



- MHT Products are ETL Listed and Assembled in ISO9000/1 Certified US Facility
- MHT Lighting Offers a 10-year Warranty (See Warranty Terms and Conditions)
- Every Product is Quality Tested and Inspected Prior to Shipment
- Proudly Manufactured in the USA

MHT Plant Operations

1961 Richmond Terrace
Staten Island, New York 10302
Tel: (718) 524-4370
Fax: (718) 524-4390

West Coast Operations

2285 Michael Faraday Dr. Suite 10
San Diego, California 92154
Tel: (619) 661-0600

www.mhtlighting.com

888-511-7780

MHT Confidential
Rev Date: September 2019