

LED WALL VANITY LIGHT

MHTi-VNT-SC SERIES

inspeXtor

Project _____

Part Number _____

Quantity _____



APPLICATIONS

- Bathroom and Interior



FEATURES

- >50,000 Hours Rated Lifespan
- 5-year Warranty
- L70 > 50,000 Hours
- Extruded Aluminum Construction
- Chrome Finished Steel Back Box
- Universal Junction Box Mounting Plate
- Clear and White Optical Acrylic Diffuser
- Full Even Illumination Across the Diffuser
- Standard Wall Surface Mount
- Color Temperature 2700K/3000K/3500K/4000K
- CRI > 80



Model	Wattage	Lm/W	Lumen	Dimensions (with Box)
MHTi-VNT-SC-24-20E-3K	20W	>85	1,800	24" x 4.25" x 3"



Manufactured in the USA

Toll Free **888.511.7780** • www.mhtlighting.com



LED WALL VANITY LIGHT

MHTi-VNT-SC SERIES



Project _____

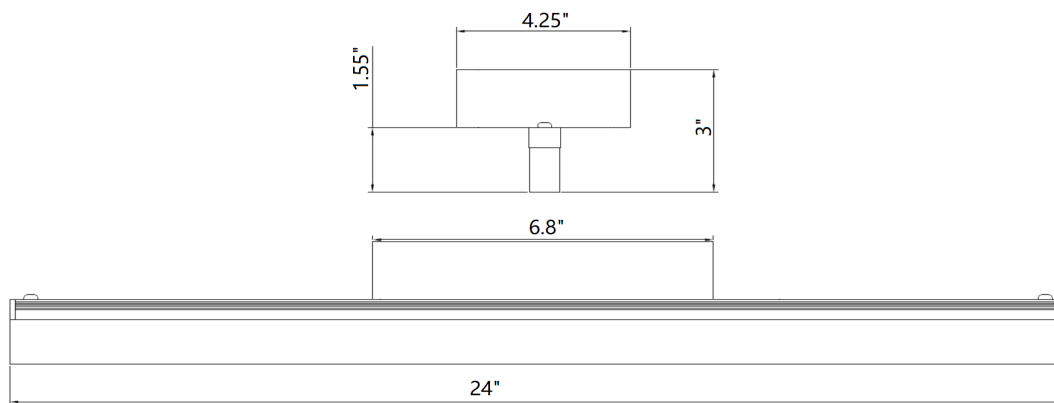
Part Number _____

Quantity _____

ORDERING CODES

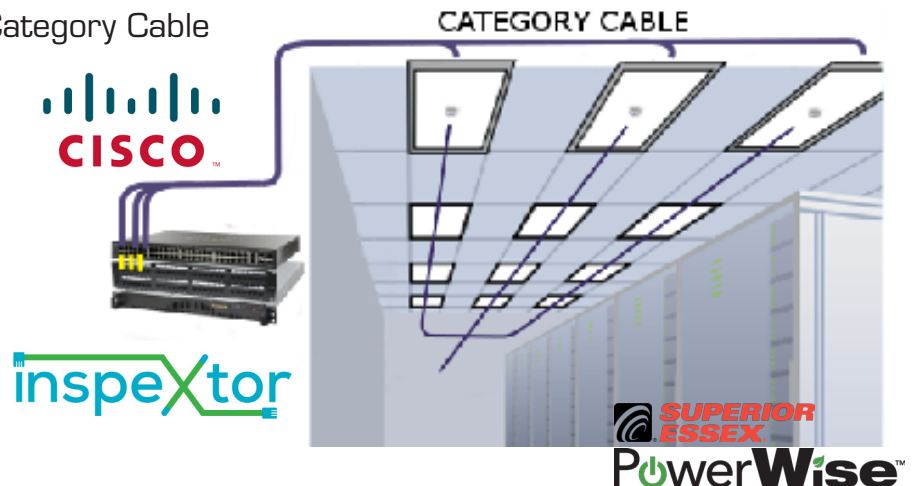
MHTi-VNT-SC			
	Size & Wattage: 24-20E=24"	Color Temperature: 27K=2700K; 3K=3000K 35K=3500K; 4K=4000K	Option: (Standard in Chrome)

DIMENSIONS



SYSTEM BENEFITS

- Powered by CISCO - PowerWise Category Cable
- Real-time Energy Management
- Monitor Workplace Productivity
- Reduce Installation Time
- Reduce Material Costs
- Space Utilization Reporting
- Daylight Harvesting
- Real-time Security Alerts



- MHT Products are ETL Listed and Assembled in ISO9000/1 Certified US Facility
- MHT Lighting Offers a 5-year Warranty (See Warranty Terms and Conditions)
- Every Product is Quality Tested and Inspected Prior to Shipment
- Proudly Manufactured in the USA

MHT Manufacturing
 1961 Richmond Terrace
 Staten Island, New York 10302
 Tel: 718.524.4370
 Fax: 718.524.4390

West Coast Operations
 2285 Michael Faraday Dr. Suite 10
 San Diego, California 92154
 Tel: 619.661.0600

www.mhtlighting.com
888.511.7780

MHT Confidential
 Rev: September 2019