

LED SQUARE DOWN LIGHT

MHTi-DL-SC-4-S SERIES

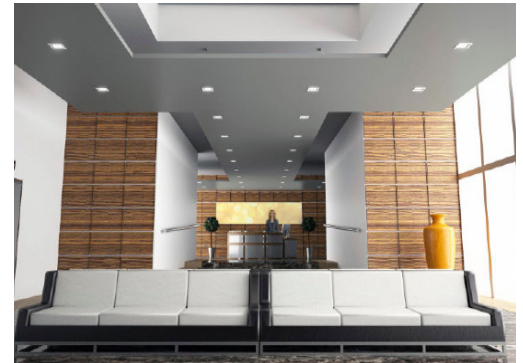


Project _____
 Part Number _____
 Quantity _____



LOCATION

- Airport, Corporate Campus
- Data Center, Healthcare, Retail



FEATURES

- >50,000 Hours Rated Lifespan
- 5-year Warranty
- L70 > 50,000 Hours
- Cast Aluminum Housing (White)
- Frosted Finish Polycarbonate Lens
- Lightweight with Spring Clips
- High Efficient Reflector and Lens
- Recessed Ceiling with 70° Beam Angle
- Color Temperature 3000K to 5000K
- CRI > 80



Model	Input Power	Lm/W	Lumen	Dimensions	Opening
MHTi-DL-SC-4-S-10E	10W	100	1,000	4.75" x 4.75" x 5.76"	4"
MHTi-DL-SC-4-S-15E	15W	100	1,500	4.75" x 4.75" x 5.76"	4"
MHTi-DL-SC-4-S-20E	20W	100	2,000	4.75" x 4.75" x 5.76"	4"

ORDERING CODES

MHTi-DL-SC

Size & Wattage:

4-S-10E=4" Square 10W

4-S-15E=4" Square 15W

4-S-20E=4" Square 20W

Color Temperature:

3K=3000K

35K=3500K

4K=4000K

5K=5000K

Option:

(Standard in White Trim)

EM=Emergency Battery



Manufactured in the USA

Toll Free **888.511.7780** • www.mhtlighting.com



LED SQUARE DOWN LIGHT

MHTi-DL-SC-4-S SERIES

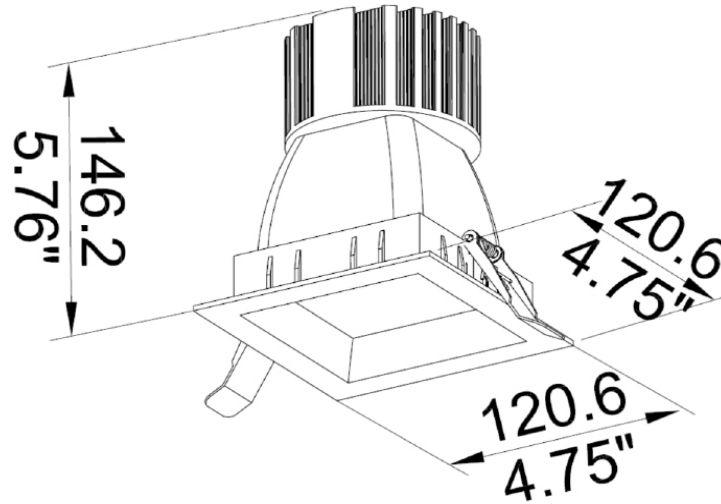
inspeXtor

Project _____

Part Number _____

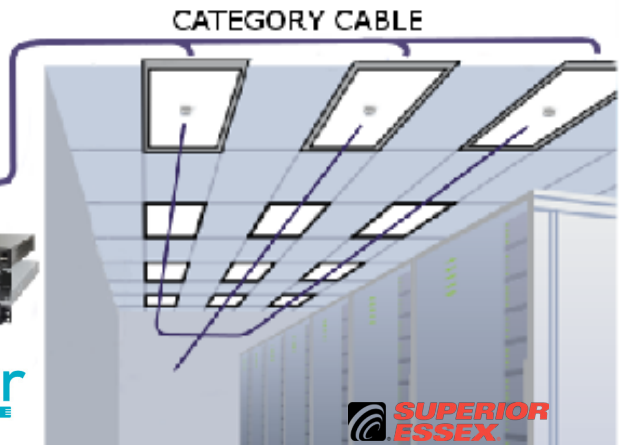
Quantity _____

DIMENSIONS



SYSTEM BENEFITS

- Powered by CISCO - PowerWise Category Cable
- Real-time Energy Management
- Monitor Workplace Productivity
- Reduce Installation Time
- Reduce Material Costs
- Space Utilization Reporting
- Daylight Harvesting
- Real-time Security Alerts



- MHT Products are ETL Listed and Assembled in ISO9000/1 Certified US Facility
- MHT Lighting Offers a 5-year Warranty (See Warranty Terms and Conditions)
- Every Product is Quality Tested and Inspected Prior to Shipment
- Proudly Manufactured in the USA

MHT Manufacturing
1961 Richmond Terrace
Staten Island, New York 10302
Tel: 718.524.4370
Fax: 718.524.4390

West Coast Operations
2285 Michael Faraday Dr. Suite 10
San Diego, California 92154
Tel: 619.661.0600

www.mhtlighting.com
888.511.7780

MHT Confidential
Rev: September 2019