

LED TROFFER

MHTi-VOLS-SC SERIES



Project _____

Part Number _____

Quantity _____

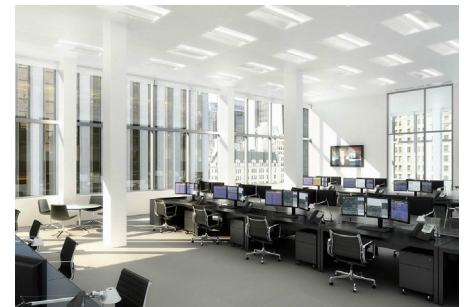


FEATURES

- >100,000 Hours Rated Lifespan
- 10-year Warranty; L70 > 75,000 Hours
- Slim and Lightweight Steel Housing
- Frosted White Polycarbonate Diffuser
- Highly Reflective White Finish
- Standard Grid Mount
- Available Ceiling Surface Mount Kit
- Available with Integrated Sensor
- Color Temperature 3000K to 5000K
- CRI > 80

APPLICATIONS

- Corporate Campus
- Education, Retail
- Healthcare



Model	Input Power	Lm/W	Lumen	Dimensions
MHTi-VOLS-SC-1X4-28E-35K	28W	110	2,800	11.75" x 23.75" x 4"
MHTi-VOLS-SC-2X2-28E-35K	28W	110	2,800	23.75" x 23.75" x 4"
MHTi-VOLS-SC-2X4-48E-35K	48W	110	5,000	23.75" x 47.75" x 4"

ORDERING CODES

MHTi-VOLS-SC

Size & Wattage:

1X4-28E=28W

2X2-28E=28W

2X4-48E=48W

Color Temperature:

3K=3000K

35K=3500K

4K=4000K

5K=5000K

Mounting:

SM=Surface Mount

Option:

(Standard in White)

EM=Emergency Battery



Manufactured in the USA

Toll Free **888.511.7780** • www.mhtlighting.com



LED TROFFER

MHTi-VOLS-SC SERIES

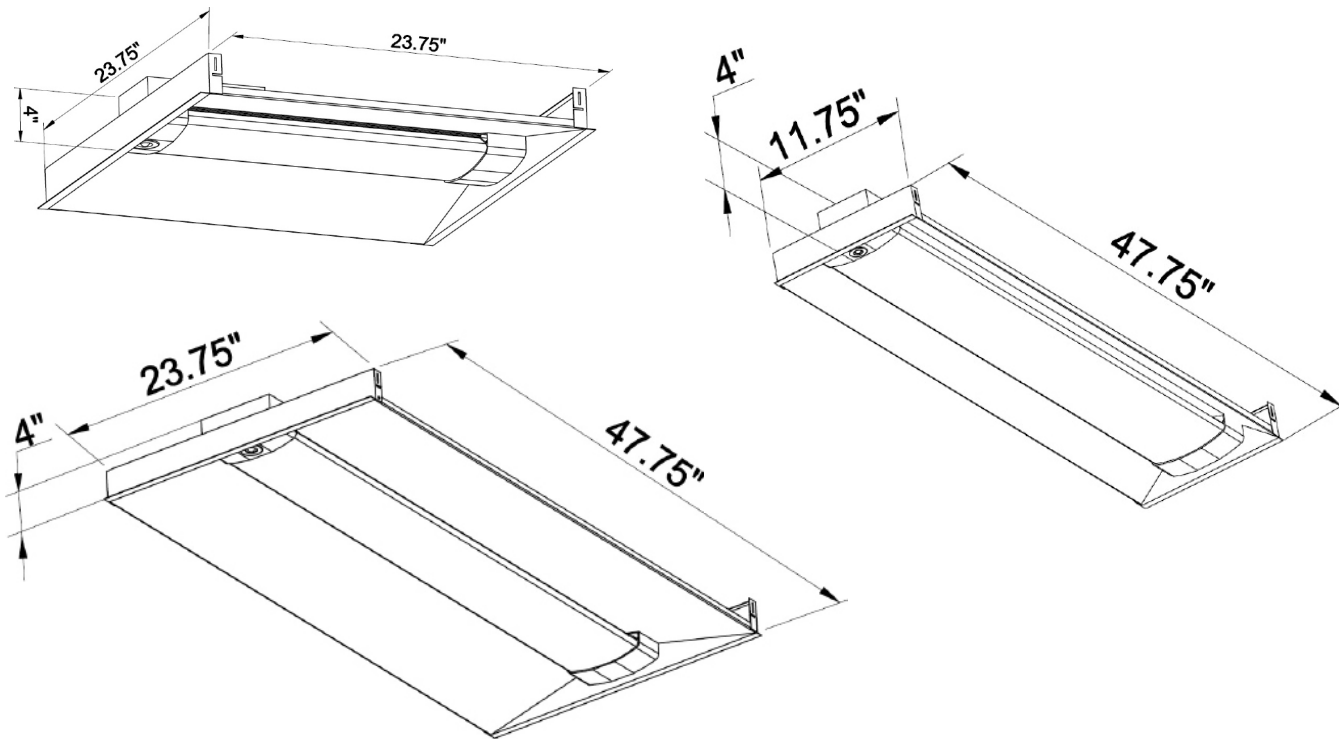


Project _____

Part Number _____

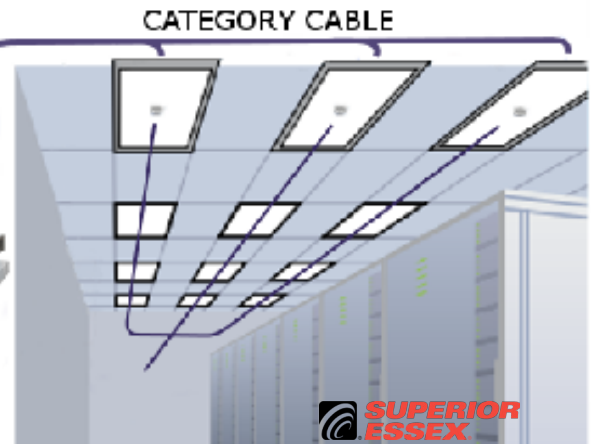
Quantity _____

DIMENSIONS



SYSTEM BENEFITS

- Powered by CISCO - PowerWise Category Cable
- Real-time Energy Management
- Monitor Workplace Productivity
- Reduce Installation Time
- Reduce Material Costs
- Space Utilization Reporting
- Daylight Harvesting
- Real-time Security Alerts



- MHT Products are ETL Listed and Assembled in ISO9000/1 Certified US Facility
- MHT Lighting Offers a 10-year Warranty (See Warranty Terms and Conditions)
- Every Product is Quality Tested and Inspected Prior to Shipment
- Proudly Manufactured in the USA

MHT Manufacturing
1961 Richmond Terrace
Staten Island, New York 10302
Tel: 718.524.4370
Fax: 718.524.4390

West Coast Operations
2285 Michael Faraday Dr. Suite 10
San Diego, California 92154
Tel: 619.661.0600

www.mhtlighting.com
888.511.7780

MHT Confidential
Rev: December 2019