

LED ROUND SURFACE MOUNT

MHTi-RFM-SC SERIES



Project _____

Part Number _____

Quantity _____



APPLICATIONS

- Bathroom and Interior

FEATURES

- >100,000 Hours Rated Lifespan
- 5-year Warranty
- L70 > 50,000 Hours
- Die Cast Aluminum Trim Construction (White)
- White Finished Steel Back Box
- Frosted Acrylic Diffuser
- Full Even Illumination Across the Diffuser
- Color Temperature 3000K to 5000K
- CRI > 85



Model	Wattage	Lm/W	Lumen	Dimensions (with Box)
MHTi-RFM-SC-15-20E-3K	20W	95	2,000	Ø 15.7" x 2.2"
MHTi-RFM-SC-20-28E-3K	28W	95	2,800	Ø 23.6" x 2.2"

ORDERING CODES

MHTi-RFM-SC

Size & Wattage:

15-20E=15.7", 20W; 3K=3000K; 35K=3500K; 4K=4000K;
20-28E=23.6", 28W 5K=5000K

Color Temperature:

Mounting:

Standard in White
EM=Emergency Battery Backup



Manufactured in the USA

Toll Free **888.511.7780** • www.mhtlighting.com



LED ROUND SURFACE MOUNT

MHTi-RFM-SC SERIES

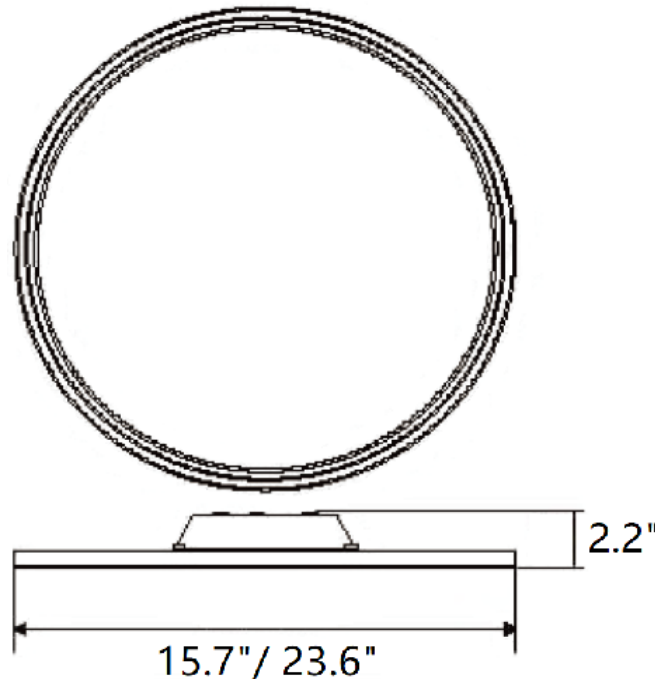
inspeXtor

Project _____

Part Number _____

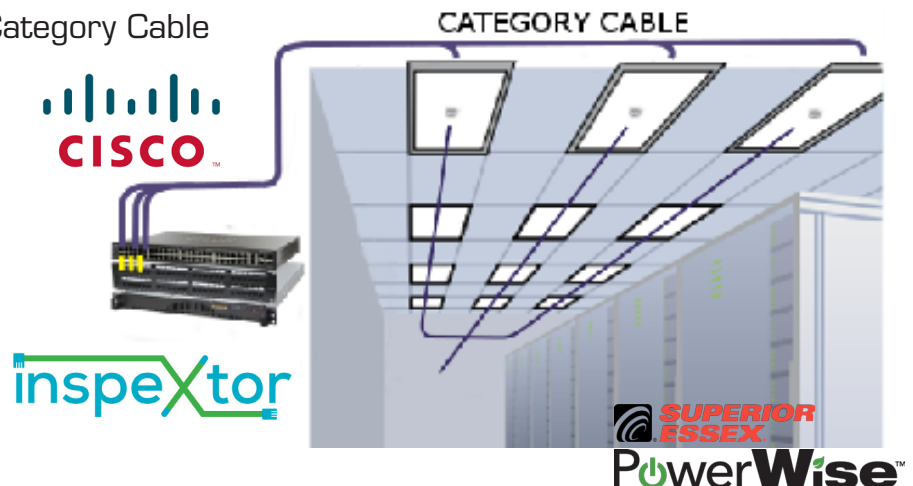
Quantity _____

DIMENSIONS



SYSTEM BENEFITS

- Powered by CISCO - PowerWise Category Cable
- Real-time Energy Management
- Monitor Workplace Productivity
- Reduce Installation Time
- Reduce Material Costs
- Space Utilization Reporting
- Daylight Harvesting
- Real-time Security Alerts



- MHT Products are Assembled in ISO9000/1 Certified US Facility
- MHT Lighting Offers a 5-year Warranty [See Warranty Terms and Conditions]
- Every Product is Quality Tested and Inspected Prior to Shipment
- Proudly Manufactured in the USA

MHT Manufacturing
1961 Richmond Terrace
Staten Island, New York 10302
Tel: 718.524.4370
Fax: 718.524.4390

West Coast Operations
2285 Michael Faraday Dr. Suite 10
San Diego, California 92154
Tel: 619.661.0600

www.mhtlighting.com
888.511.7780

MHT Confidential
Rev: December 2019