

LED SHOEBOX/FLOOD

MHTL-SFL SERIES

Project _____

Part Number _____

Quantity _____



APPLICATIONS

- Park
- Parking Lot
- Pool
- Tennis Court
- Loading Dock

FEATURES

- >100,000 Hours Rated Lifespan
- 10-year Warranty
- L90 > 75,000 Hours (45W)
- L70 > 120,000 Hours (76W and 100W)
- Die Cast Aluminum Housing (Dark Bronze)
- Flat Clear Tempered Glass Lens
- High Performance Acrylic Optical Lens
- Type III, Type IV or Type V Distribution
- Down Lighting Applications Only
- TAA/BAA Compliant



LED/DRIVER

- Universal Input Voltage 120~277V
- Optional Input Voltage 347V/480V
- Power Factor > 0.95 @277V
- THD < 12% @277V
- 4kV Surge Protection - Optional 20kV
- CCT 3000K/3500K/4000K/5000K
- 0-10V Dimming Driver
- CRI > 75

Model	Input Power	Lm/W	Lumen	Dimensions	EPA at 0° (ft²)
MHTL-SFL-45E-4K	45W	>100	>4,500	12.5" x 12.5" x 5.5"	1.1
MHTL-SFL-76E-4K	76W	>96	>7,200	12.5" x 12.5" x 5.5"	1.1
MHTL-SFL-100E-4K	100W	>99	>9,600	16.5" x 16.5" x 6.8"	1.7
MHTL-SFL-127E-4K	127W	>99	>12,500	16.5" x 16.5" x 6.8"	1.7
MHTL-SFL-237E-4K	237W	>95	>22,000	23.8" x 23.8" x 10.2"	3.8



Manufactured in the USA

Toll Free **888-511-7780** • www.mhtlighting.com



LED SHOEBOX/FLOOD

MHTL-SFL SERIES

Project _____

Part Number _____

Quantity _____

ORDERING CODES

MHTL-SFL E

Wattage:
45,
76,
100,
127,
237

Color Temp:
3K=3000K
35K=3500K
4K=4000K
5K=5000K

Input Voltage:
U=120-277V
347=347V
480=480V

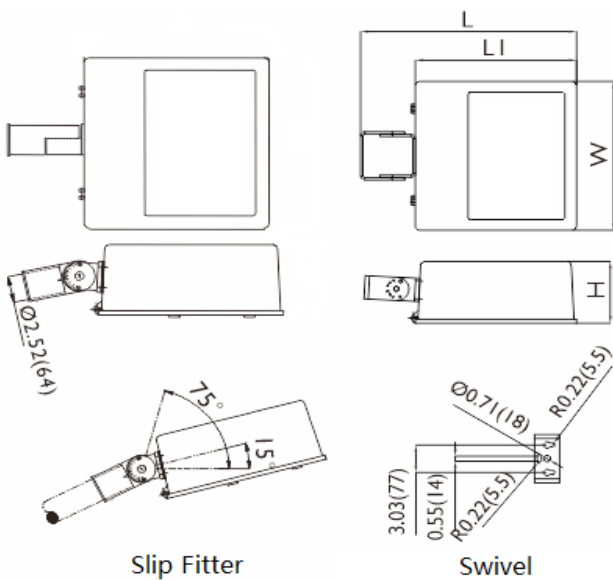
Distribution:
T3=Type III
T4=Type IV
T5=Type V

Mounting:
SF=Slip Fitter
SW=Swivel Mount
EA6=6" Arm
EA10=10" Arm
YM=Yoke Mount
WM=Wall Mount Bracket

Option:
PR3=3-pin Photocell Receptacle
PR7=7-pin Photocell Receptacle
PC3=3-pin Photocell
PC7=7-pin Photocell
VISOR=Glare Shield (Block Uplights)
SPD=20kV Surge Protective Device
OS-On/Off=On/Off Motion Sensor
OS-Dim=Dimming Motion Sensor

MHTL-SFL-45E-5K-U, MHTL-SFL-76E-4K-U
and MHTL-SFL-100E-4K-U are DLC Listed Product

DIMENSIONS



Slip Fitter

Swivel

MOUNTING OPTIONS



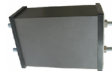
SF - Slip Fitter (O.D. 2-3/8" Round Pole)
(Adjustable. 1ft Power Cord is Included)



WM - Wall/Surface Mount Bracket
(Used with Slip Fitter)



SW - Swivel/Surface Mount Bracket
(Adjustable. 1ft Power Cord is Included)



EA6/10 - 6"/10" Aluminum Extruded Arm
(For Square Pole Use. 1ft Power Cord is Included)



YM - Large Yoke Mount
(Adjustable. 1ft Power Cord is Included)

inch (mm)				
Input Power	Length (L1)	Length with Swivel (L)	Width (W)	Height (H)
45W and 76W	12.51 (318)	16.06 (408)	12.51 (318)	5.50 (140)
100W and 127W	16.46 (418)	20.05 (560)	16.42 (417)	6.81 (173)
237W	23.82 (605)	29.41 (747)	23.82 (605)	10.24 (260)

- MHT Products are ETL Listed and Assembled in ISO9000/1 Certified US Facility
- MHT Lighting Offers a 10-year Warranty (See Warranty Terms and Conditions)
- Every Product is Quality Tested and Inspected Prior to Shipment
- Proudly Manufactured in the USA
- For Product IES Files Please Contact Your Local Reps

MHT Plant Operations

1961 Richmond Terrace
Staten Island, New York 10302
Tel: (718) 524-4370
Fax: (718) 524-4390

West Coast Operations

2285 Michael Faraday Dr. Suite 10
San Diego, California 92154
Tel: (619) 661-0600

www.mhtlighting.com

888-511-7780

MHT Confidential
Rev Date: May 2018