

LED TROFFER

MHTi-VOL-SC SERIES



Project _____

Part Number _____

Quantity _____

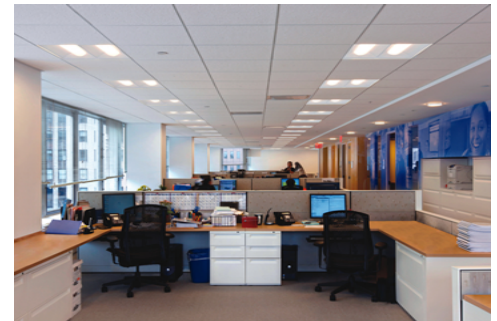


FEATURES

- >125,000 Hours Rated Lifespan
- 10-year Warranty
- L70 > 100,000 Hours
- Slim and Lightweight Steel Housing (White)
- Frosted White Polycarbonate Diffuser
- Highly Reflective White Finish
- Standard Grid Mount
- Available Ceiling Surface Mount Kit
- Complete with Integrated Sensor

APPLICATIONS

- Corporate Campus
- Education, Retail
- Healthcare



SPECIFICATIONS

- Color Temperature 3500K/4000K/5000K
- CRI > 85

Model	Input Power	Lm/W	Lumen	Dimensions
MHTi-VOL-SC-2X2-28E-35K	28W	>110	>2,800	23.75" x 23.75" x 3"
MHTi-VOL-SC-2X4-28E-35K	28W	>115	>3,100	23.75" x 47.75" x 3"
MHTi-VOL-SC-2X4-48E-35K	48W	>110	>5,600	23.75" x 47.75" x 3"

ORDERING CODES

MHTi-VOL-SC

Size & Wattage: 2X2-28E=28W 2X4-28E=28W 2X4-48E=48W
 Color Temperature: 35K=3500K 4K=4000K 5K=5000K
 Mounting: SM=Surface Mount
 Option: (Standard in White) AC=Safety Cable EM=Emergency Battery



Manufactured in the USA

Toll Free **888.511.7780** • www.mhtlighting.com



LED TROFFER

MHTi-VOL-SC SERIES

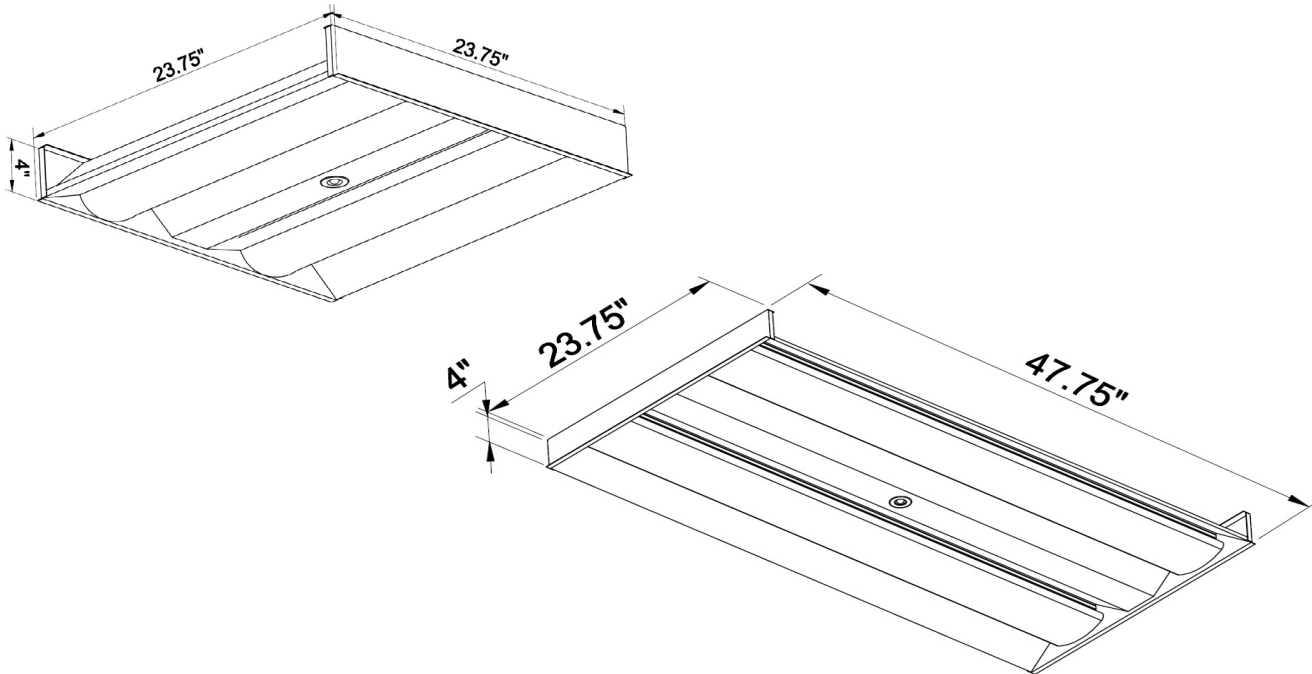
inspeXtor

Project _____

Part Number _____

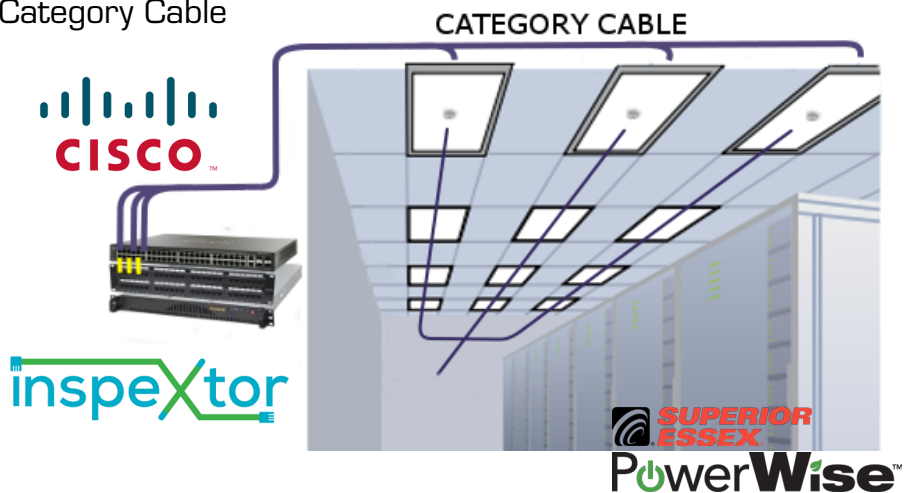
Quantity _____

DIMENSIONS



SYSTEM BENEFITS

- Powered by CISCO - PowerWise Category Cable
- Real-time Energy Management
- Monitor Workplace Productivity
- Reduce Installation Time
- Reduce Material Costs
- Space Utilization Reporting
- Daylight Harvesting
- Real-time Security Alerts



- MHT Products are ETL Listed and Assembled in ISO9000/1 Certified US Facility
- MHT Lighting Offers a 10-year Warranty (See Warranty Terms and Conditions)
- Every Product is Quality Tested and Inspected Prior to Shipment
- Proudly Manufactured in the USA

MHT Manufacturing
1961 Richmond Terrace
Staten Island, New York 10302
Tel: 718.524.4370
Fax: 718.524.4390

West Coast Operations
2285 Michael Faraday Dr. Suite 10
San Diego, California 92154
Tel: 619.661.0600

www.mhtlighting.com
888.511.7780

MHT Confidential
Rev: April 2018