

# LED GARAGE RETRO SOLUTION

## MHTL-RS-RCL SERIES

Project \_\_\_\_\_

Part Number \_\_\_\_\_

Quantity \_\_\_\_\_



### APPLICATIONS

- HID 15" Round Garage Luminaire

Retro Solutions May Fit:

- Phillips RSP Series
- QSSI TGL40E & VNGL40E
- Other Similar Size Housing

### FEATURES

- >100,000 Hours Rated Lifespan
- 3-year Warranty
- L85 > 170,000 Hours
- Simple Installation in Under 10 Minutes
- Designed for 15" Diameter Round Garage or Canopy Luminaires
- LED Engines and Driver in One-piece Design
- Reflective Design to Optimize Efficiency
- Ambient Temperature -30 to 130 °F



### LED/DRIVER

- Universal Input Voltage 120-277V
- Optional Input Voltage 347-480V
- Power Factor > 0.94 @277V
- THD < 10% @277V
- CRI > 75
- Color Temperature 4000K/5000K
- Standard 6kV Surge Protection
- IP67 Rated LED Driver

Model	Rated Wattage	Replaces	Estimate Fixture Lm/W	Estimate Fixture Lumen	Dimensions
MHTL-RS-RCL-48E	48W	MH - 100W HPS - 150W	>100	>4,800	Ø14.1"x6"



Manufactured in the USA

Toll Free **888-511-7780** • [www.mhtlighting.com](http://www.mhtlighting.com)



# LED GARAGE RETRO SOLUTION

## MHTL-RS-RCL SERIES

Project \_\_\_\_\_

Part Number \_\_\_\_\_

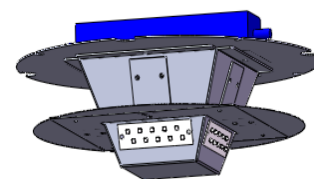
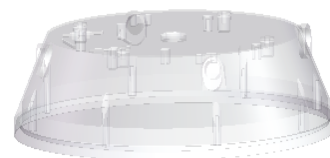
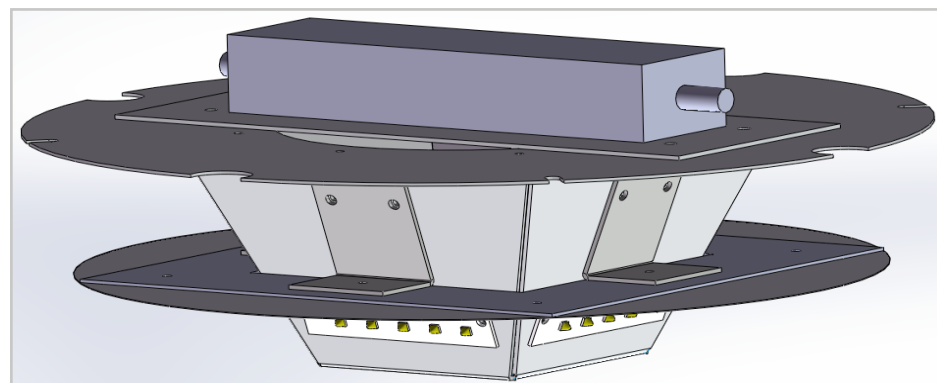
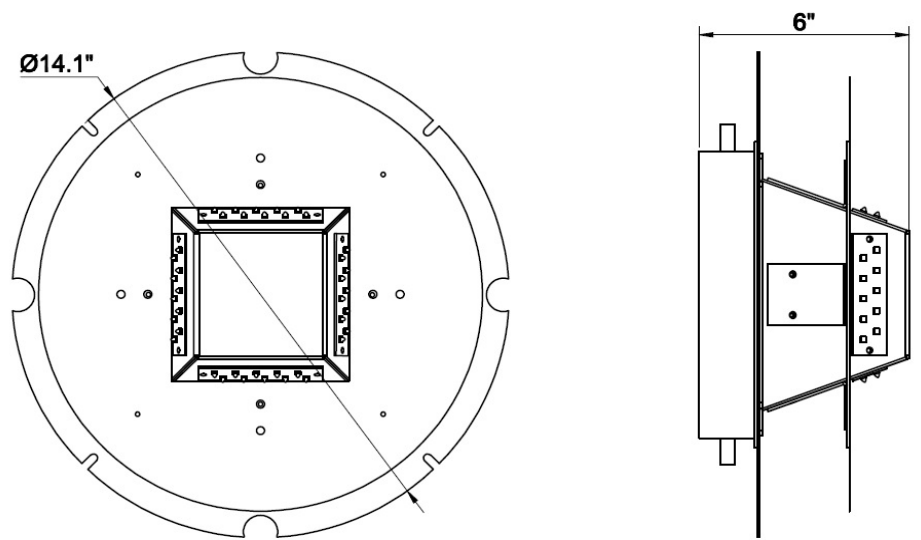
Quantity \_\_\_\_\_

### ORDERING CODES

MHTL-RS-RCL - 48 E -            -            -           

**Wattage:**    **Color Temp:**    **Input Voltage:**    **Options:**  
 4K = 4000K    U = 120-277V    DB = 0-10V Dimming Ballast (Minimum 10%)  
 5K = 5000K    480 = 347-480V    EB = Emergency Battery Backup

### DIMENSIONS



- MHT Products are Assembled in ISO9000/1 Certified US Facility
- MHT Lighting Offers a 3-year Warranty (See Warranty Terms and Conditions)
- Every Product is Quality Tested and Inspected Prior to Shipment
- Proudly Manufactured in the USA. Meets "Buy American" Requirements within the ARRA

**MHT Plant Operations**  
 1961 Richmond Terrace  
 Staten Island, New York 10302  
 Tel: (718) 524-4370  
 Fax: (718) 524-4390

**West Coast Operations**  
 9543 Heinrich Hertz Dr. Suite 5  
 San Diego, California 92154  
 Tel: (619) 661-0600  
 Fax: (619) 661-0607

[www.mhtlighting.com](http://www.mhtlighting.com)  
**888-511-7780**

MHT Confidential  
 Rev Date: December 2015