

LED GARAGE RETRO SOLUTION

MHTL-RS-CL SERIES

Project _____
 Part Number _____
 Quantity _____



APPLICATIONS

- HID 12" x 12" Square Garage Luminaire

Retro Solution May Fit:

- Hubbell S12
- Grandlite SMO12
- QSSI VN41E
- Cooper Lighting Vertimark
- Other Similar Size Housing

FEATURES

- >100,000 Hours Rated Lifespan
- 3-year Warranty
- L90 > 130,000 Hours (45W)
- L90 > 48,000 Hours (65W)
- Simple Installation in Under 10 Minutes
- Designed for 12" x 12" Square Garage or Canopy Luminaires
- LED Engines and Driver in One-piece Design
- Reflective Design to Optimize Efficiency
- Ambient Temperature -30 to 130 °F



LED/DRIVER

- Universal Input Voltage 120-277V
- Optional Input Voltage 347-480V
- Power Factor > 0.93 @277V
- THD < 15% @277V
- CRI > 75
- Color Temperature 4000K/5000K
- Standard 6kV Surge Protection
- IP67 Rated LED Driver

Model	Rated Wattage	Replaces	Estimate Fixture Lm/W	Estimate Fixture Lumen	Kit Dimensions
MHTL-RS-CL-45E	45W	MH - 100W HPS - 150W	>100	>4,000	11.7"x11.7"x4.1"
MHTL-RS-CL-65E	65W	MH - 175W HPS - 200W		>6,000	



Manufactured in the USA

Toll Free **888-511-7780** • www.mhtlighting.com



LED GARAGE RETRO SOLUTION

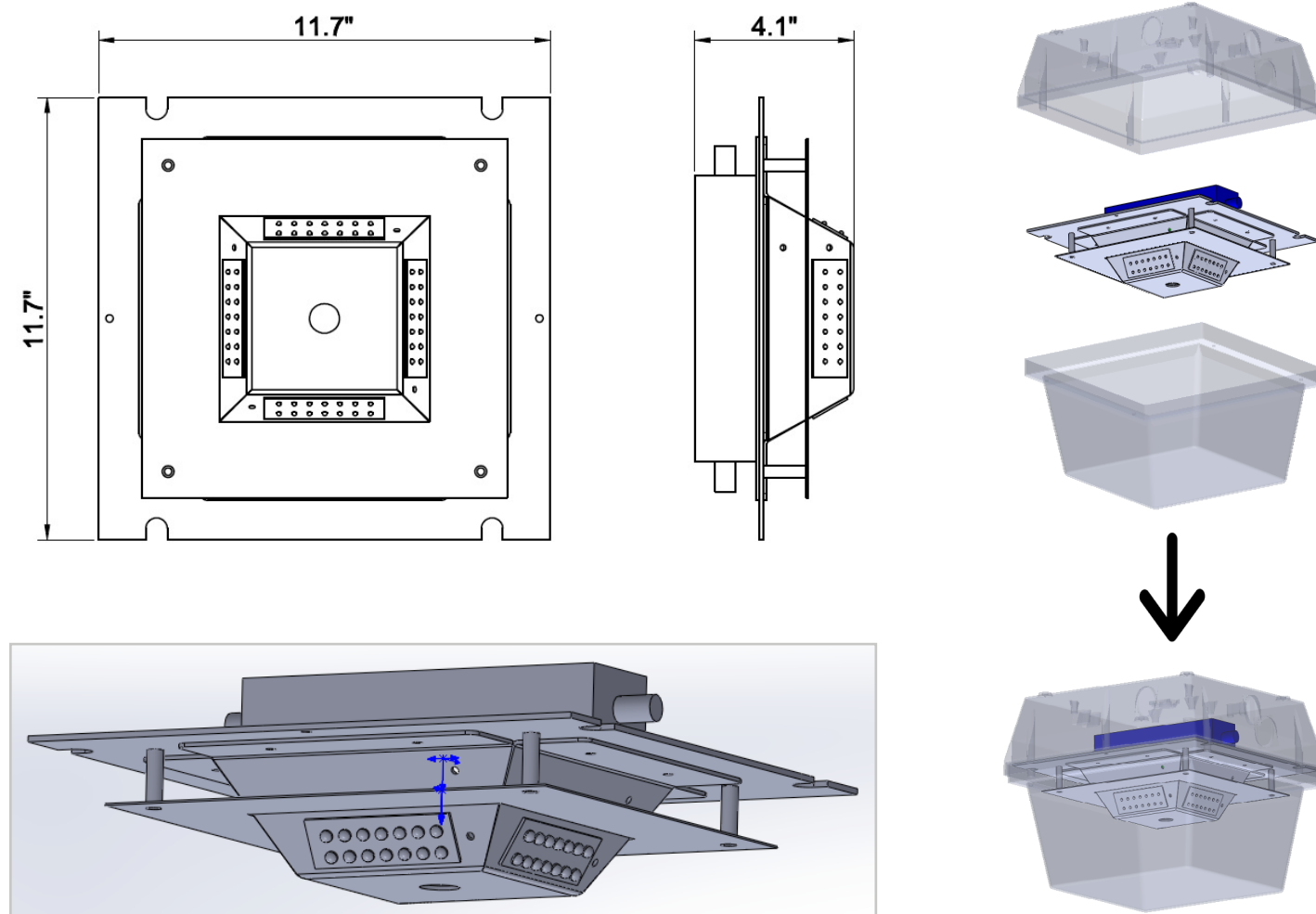
MHTL-RS-CL SERIES

Project _____
 Part Number _____
 Quantity _____

ORDERING CODES

MHTL-RS-CL	- <input type="text" value="E"/> -	<input type="text"/>	<input type="text"/>	<input type="text"/>
<u>Wattage:</u>	<u>Color Temp:</u>	<u>Input Voltage:</u>	<u>Options:</u>	
45, 65	4K = 4000K 5K = 5000K	U = 120-277V 480 = 347-480V	DB = 0-10V Dimming Ballast (Minimum 10%) EB = Emergency Battery Backup (For 45W)	

DIMENSIONS



- MHT Products are Assembled in ISO9000/1 Certified US Facility
- MHT Lighting Offers a 3-year Warranty (See Warranty Terms and Conditions)
- Every Product is Quality Tested and Inspected Prior to Shipment
- Proudly Manufactured in the USA. Meets "Buy American" Requirements within the ARRA

MHT Plant Operations
 1961 Richmond Terrace
 Staten Island, New York 10302
 Tel: (718) 524-4370
 Fax: (718) 524-4390

West Coast Operations
 9543 Heinrich Hertz Dr. Suite 5
 San Diego, California 92154
 Tel: (619) 661-0600
 Fax: (619) 661-0607

www.mhtlighting.com
888-511-7780

MHT Confidential
 Rev Date: December 2015