

LED TROFFER

MHTL-VOLS-LD SERIES

Project _____

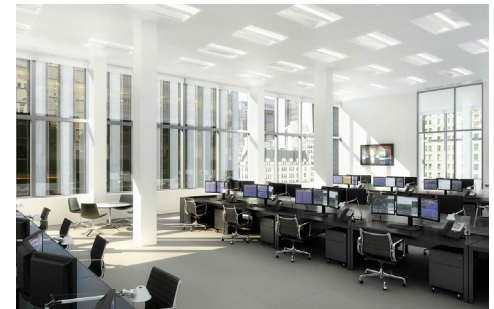
Part Number _____

Quantity _____



APPLICATIONS

- Education
- Healthcare
- Office
- Retail



General Features

- >100,000 hours rated lifespan, L70 > 67,000 hours
- Slim and lightweight housing (White)
- Highly reflective white coating
- Frosted finished polycarbonate lens
- Available integrated emergency battery backup
- TAA/BAA Compliant
- Lutron LED driver - continuous, flicker-free dimming from 100% to 5% or 100% to 1%
- Guaranteed compatibility with Energi Savr Node™ units with EcoSystem®, GRAFIK Eye® QS with EcoSystem®, PowPak® dimming module with EcoSystem®, and Quantum® systems, allowing for integration into a planned or existing EcoSystem® lighting control solution
- Non-volatile memory restores all settings after power failure
- Protected from miswires of input power to EcoSystem® control inputs up to 277V

EcoSystem® Features

- Simpler to wire and more reliable than 0-10V
- Guarantees compatibility between Lutron® controls, drivers, and sensors
- Accommodates zone changing without rewiring
- Link to Lutron® Quantum® Total Light Management System to monitor light power consumption



Manufactured in the USA

Toll Free **888-511-7780** • www.mhtlighting.com



LED TROFFER

MHTL-VOLS SERIES

Project _____

Part Number _____

Quantity _____

SPECIFICATIONS

- Universal Input Voltage 120 - 277V
- Operating Frequency 50Hz/60Hz
- CRI > 84
- Power Factor > 0.99 @120V
- THD < 10% @120V
- Color Temperature 3500K/4000K/5000K

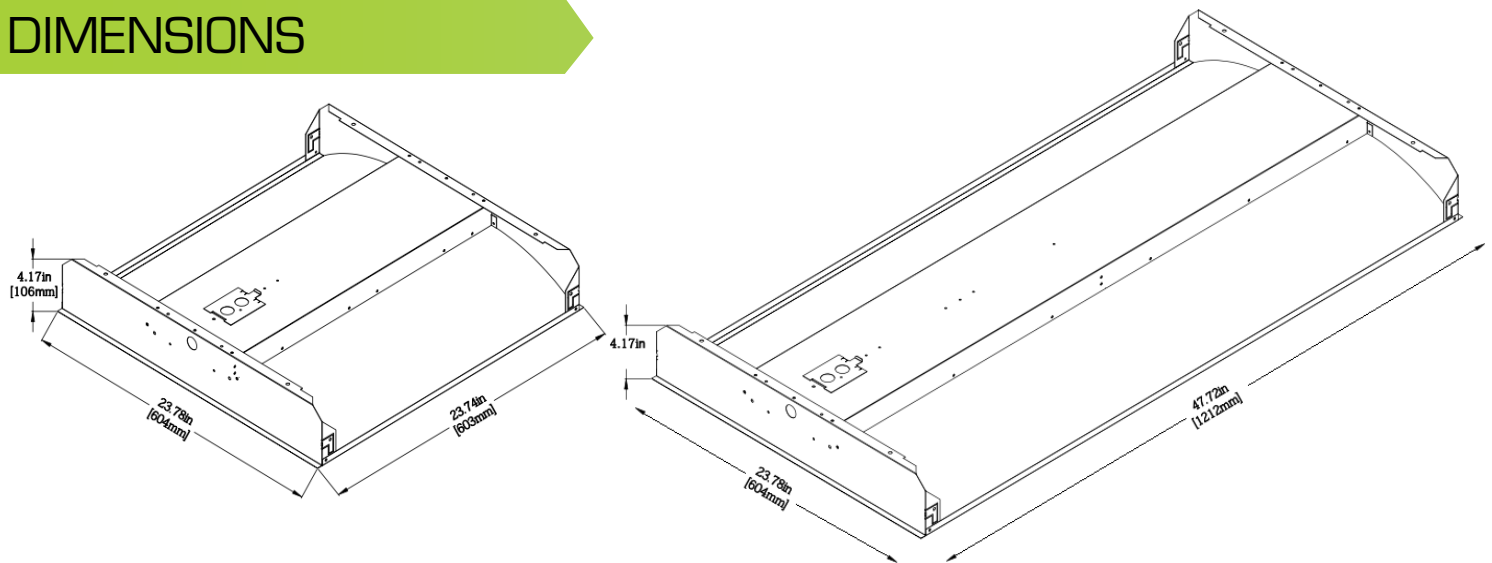
Model	Input Power	Lm/W	Lumen	Dimensions
MHTL-VOLS-LD-2X2-24E-4K-U	24W	110	2,600	23.78" x 23.74" x 4.17"
MHTL-VOLS-LD-2X2-40E-4K-U	40W	110	4,000	23.78" x 23.74" x 4.17"
MHTL-VOLS-LD-2X4-36E-4K-U	36W	115	4,600	23.78" x 47.72" x 4.17"
MHTL-VOLS-LD-2X4-50E-4K-U	50W	115	5,700	23.78" x 47.72" x 4.17"

ORDERING CODES

MHTL-VOLS-LD

Wattage: 2X2-24E 2X2-40E 2X4-36E 2X4-50E
Color Temp: 35K=3500K 4K=4000K 5K=5000K
Input Voltage: U=120-277V
Lutron Type: HL=Hi-Lume 1% Dim 5S=5-Series 5% Dim
Option: (Standard in White) EB=Emergency Battery Backup FCJ-ECO=Lutron FCJ-ECO FCJ-O10=Lutron FCJ-O10

DIMENSIONS



- MHT Products are ETL Listed and Assembled in ISO9000/1 Certified US Facility
- MHT Lighting Offers a 10-year Warranty (See Warranty Terms and Conditions)
- Every Product is Quality Tested and Inspected Prior to Shipment
- Proudly Manufactured in the USA
- For Product IES Files Please Contact Your Local Reps

MHT Plant Operations
 1961 Richmond Terrace
 Staten Island, New York 10302
 Tel: (718) 524-4370
 Fax: (718) 524-4390

West Coast Operations
 2285 Michael Faraday Dr. Suite 10
 San Diego, California 92154
 Tel: (619) 661-0600

www.mhtlighting.com
888-511-7780

MHT Confidential
 Rev Date: May 2018