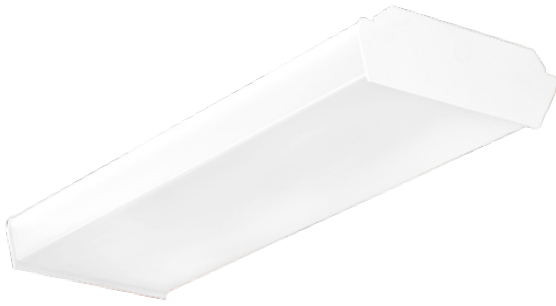


# LED WRAP FIXTURE

## MHTL-WRP-ECO-XC SERIES

Project \_\_\_\_\_  
 Part Number \_\_\_\_\_  
 Quantity \_\_\_\_\_



### FEATURES

- >100,000 Hours Rated Lifespan
- 10-year Warranty
- L70 > 75,000 Hours
- 0.8mm Die-form Housing (White)
- Frosted Finish Acrylic Lens
- Highly Reflective White Coating
- 1/2" Knock-out On Each Side and the Back
- Optional Occupancy Sensor
- Optional Emergency Battery Backup
- Standard Surface Mount Ready
- Available Pendant Mount Ready or Chain Mount Ready

### LED/DRIVER

- Universal Input Voltage 120 - 277V
- Optional Input Voltage 347V/480V
- Power Factor > 0.98 @120V
- THD < 10% @ 120V
- CRI > 80
- Color Temperature 3500K/4000K/5000K
- Surge Protection
- 0-10V Dimmable LED Driver

Model	Input Power	Lumen	CCT	Dimensions
MHTL-WRP-ECO-XC-2FT-17E-4K-U	17W	2,200	4000K	23.7" x 9.6" x 2.7"
MHTL-WRP-ECO-XC-2FT-22E-4K-U	22W	2,600	4000K	23.7" x 9.6" x 2.7"
MHTL-WRP-ECO-XC-4FT-34E-4K-U	34W	4,400	4000K	47.1" x 9.6" x 2.7"

### APPLICATIONS

- Education and Retail
- Healthcare
- Office
- Parking Garage
- Stairwell and Passageway



Manufactured in the USA

Toll Free **888-511-7780** • [www.mhtlighting.com](http://www.mhtlighting.com)



# LED WRAP FIXTURE

## MHTL-WRP-ECO-XC SERIES

Project \_\_\_\_\_

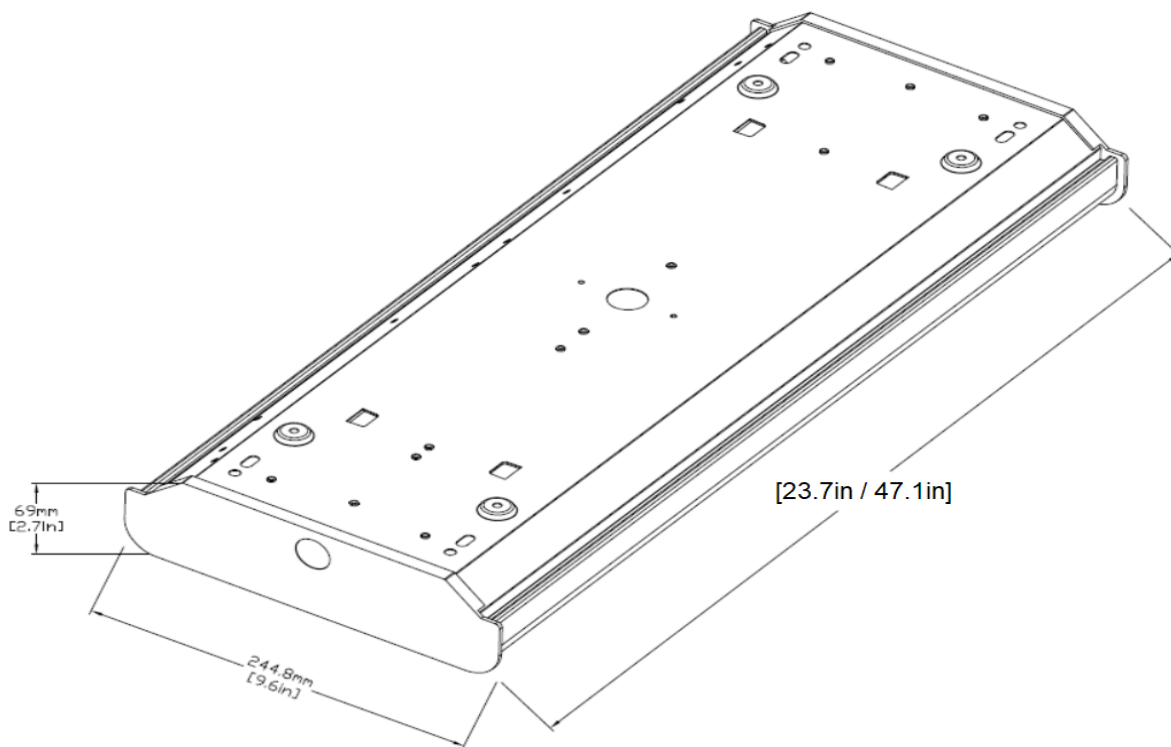
Part Number \_\_\_\_\_

Quantity \_\_\_\_\_

### ORDERING CODES

MHTL-WRP-ECO-XC	_____ E _____	_____	_____	_____	_____
	<u>Size &amp; Watt:</u>	<u>Color Temp:</u>	<u>Input Voltage:</u>	<u>Mounting:</u>	<u>Option:</u>
	2FT-17	35K=3500K	U=120-277V	SM=Surface	(Standard in White)
	2FT-25	4K=4000K	347=347V	PM=Pendant	EB=Emergency Battery Backup
	4FT-40	5K=5000K	480=480V	CM=Chain Ready	OS-On/Off=On/Off Only Motion Sensor
					OS-Dim=Dimming & On/Off Motion Sensor
					SPD=Surge Protective Device

### DIMENSIONS



- MHT Products are UL Listed and Assembled in ISO9000/1 Certified US Facility
- MHT Lighting Offers a 10-year Warranty (See Warranty Terms and Conditions)
- Every Product is Quality Tested and Inspected Prior to Shipment
- Proudly Manufactured in the USA
- For Product IES Files Please Contact Your Local Reps

#### MHT Plant Operations

1961 Richmond Terrace  
 Staten Island, New York 10302  
 Tel: (718) 524-4370  
 Fax: (718) 524-4390

#### West Coast Operations

2285 Michael Faraday Dr. Suite 10  
 San Diego, California 92154  
 Tel: (619) 661-0600

[www.mhtlighting.com](http://www.mhtlighting.com)

**888-511-7780**

MHT Confidential  
 Rev Date: December 2017