



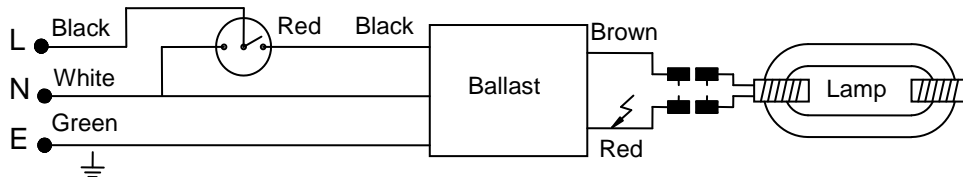
INSTALLATION INSTRUCTION

MHT-SFL

1. Main Data:

Fixture Model	Lamp Type	Input Voltage	Input Wattage	Input Current	Ballast Model	Power Factor	Net weight
MHT-SFL-70E	ST70W	120-277 VAC 50/60Hz	74W	0.61~0.27A	MHTST-70-U	≥0.95	21.6 lbs
MHT-SFL-80E	ST80W		84W	0.70~0.30A	MHTST-80-U	≥0.95	21.6 lbs
MHT-SFL-100E	ST100W		105W	0.88~0.38A	MHTST-100	≥0.95	22.0 lbs
MHT-SFL-150E	ST150W		158W	1.31~0.59A	MHTST-150-U	≥0.95	53.3 lbs
MHT-SFL-200E	ST200W		210W	1.75~0.76A	MHTST-200-U	≥0.95	53.3 lbs
MHT-SFL-250E	ST250W		263W	2.19~0.95A	MHTST-250-U	≥0.95	53.3 lbs
MHT-SFL-300E	2xST150W		315W	2.63~1.14A	2xMHTST-150-U	≥0.95	57.2 lbs

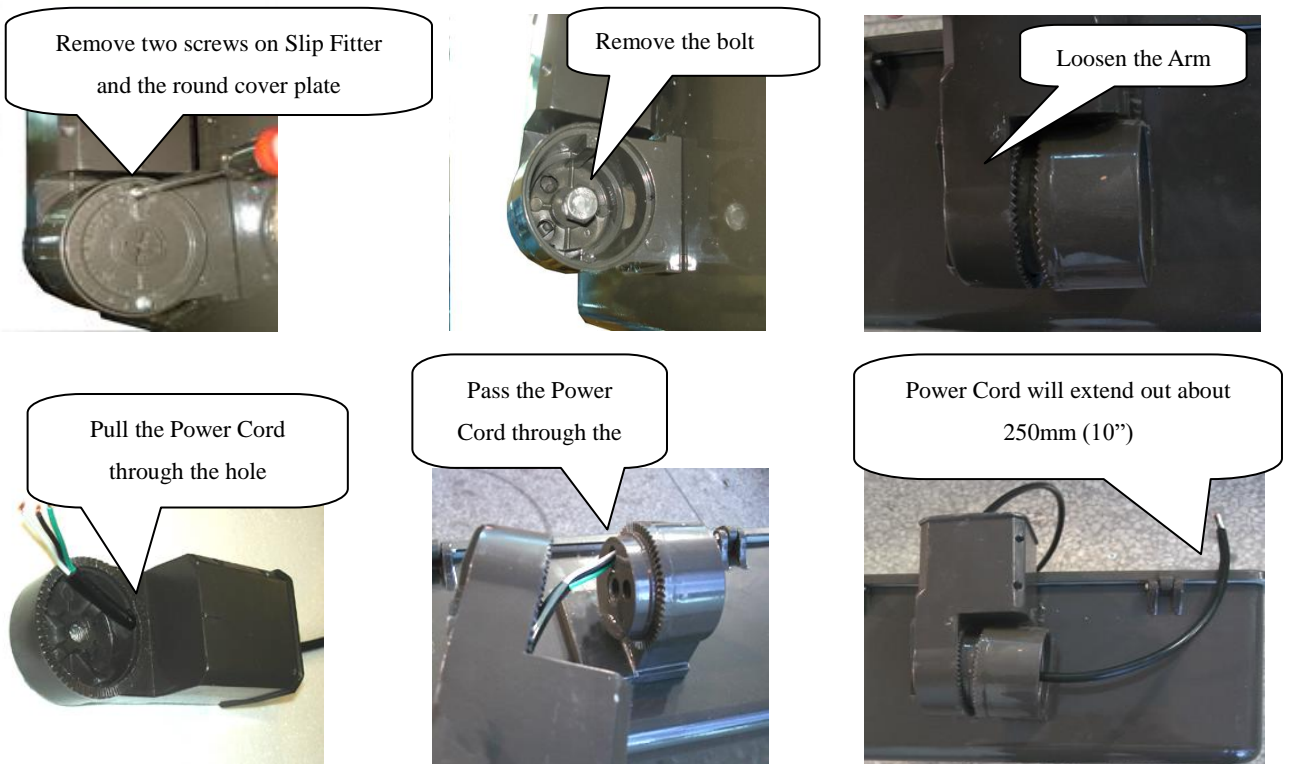
2. Photocell Circuit Diagram:



3. Installation and Maintenance Instructions:

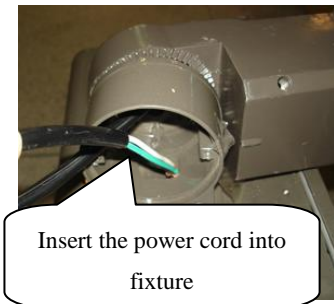
- 3.1. This product is to be installed and serviced by a certified electrician.
- 3.2. Maintenance is to be performed when the power is off and the lamp has cooled down.
- 3.3. The Luminaire should be installed in an area with good ventilation, clear of any corrosive or combustible gases and explosive objects.
- 3.4. A supply voltage tolerance of +/- 10% is allowable. An improper installation outside of this range or with the incorrect input voltage will influence the normal operation of this luminaire and result in damage to the lamp and electronic ballast.
- 3.5. The luminaire must be properly grounded to prevent accidental electrical shocks, and to prevent interference from the electrical ballast affecting the normal operation of the luminaire.
- 3.6. Do not remove the lamp or open the lens when the luminaire is powered on.

4. Installation:

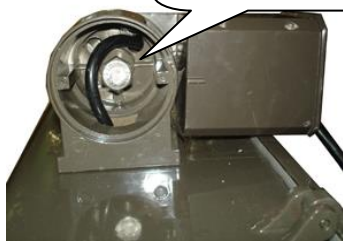




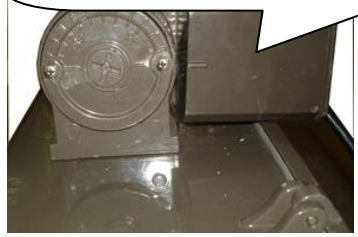
INSTALLATION



Insert the power cord into fixture



Tighten the bolt to secure the arm



Replace the round cover and tighten screws to secure



Loosen the screws on the Lens Frame

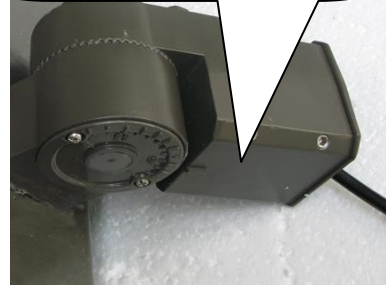


Open the Lens

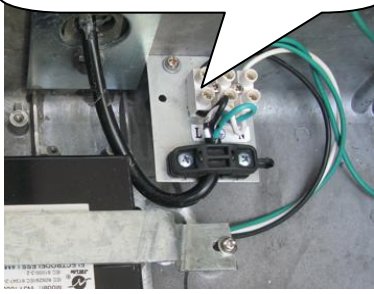
Check all connections before closing the lens. Secure lens by tightening screws



Fasten the set screws when the arm is mounted to the round pole

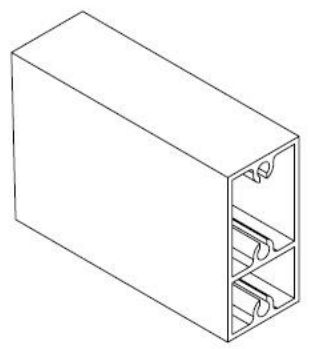
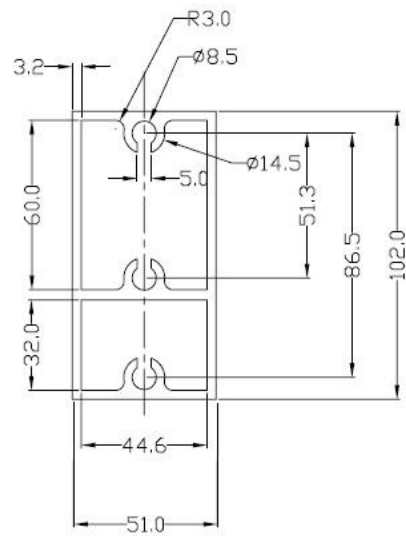
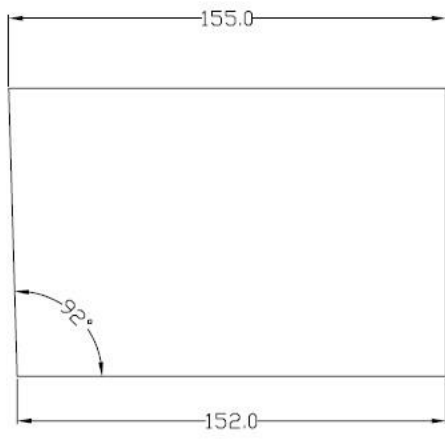


Connect the Power Cord/Solid Wires to terminal block



4. Mounting Dimensions:

6" Extruded Arm

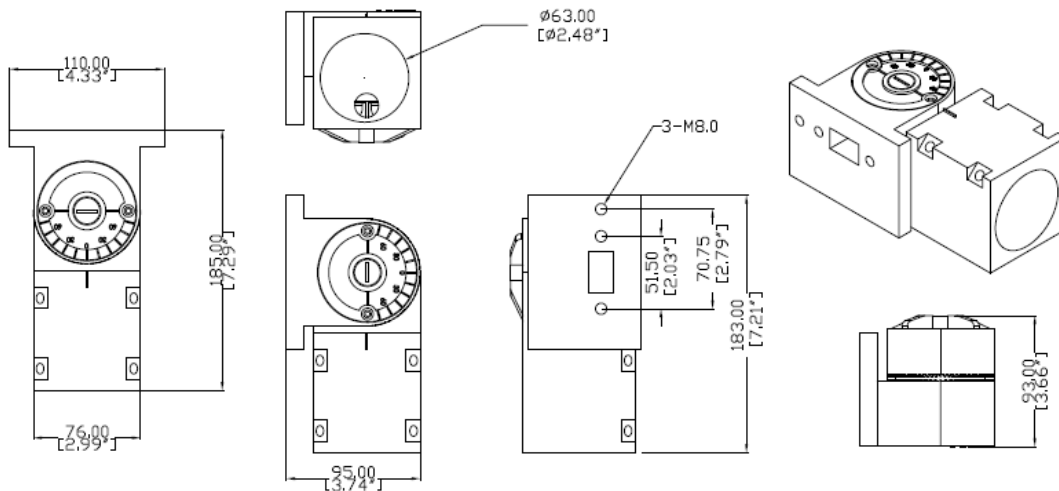




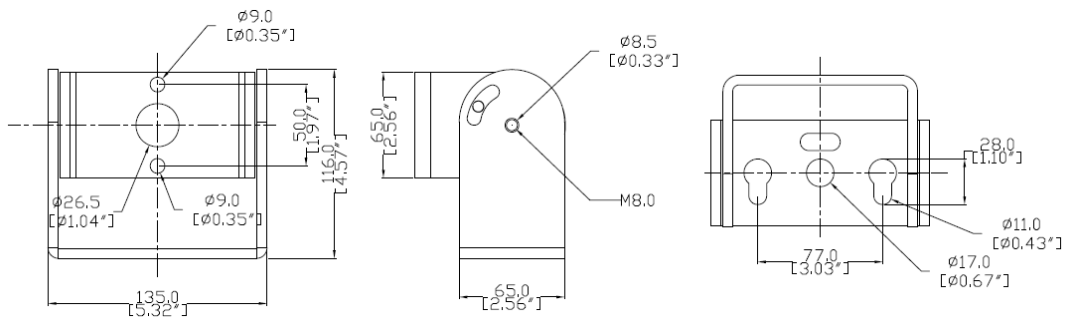
INSTALLATION INSTRUCTION

MHT-SFL

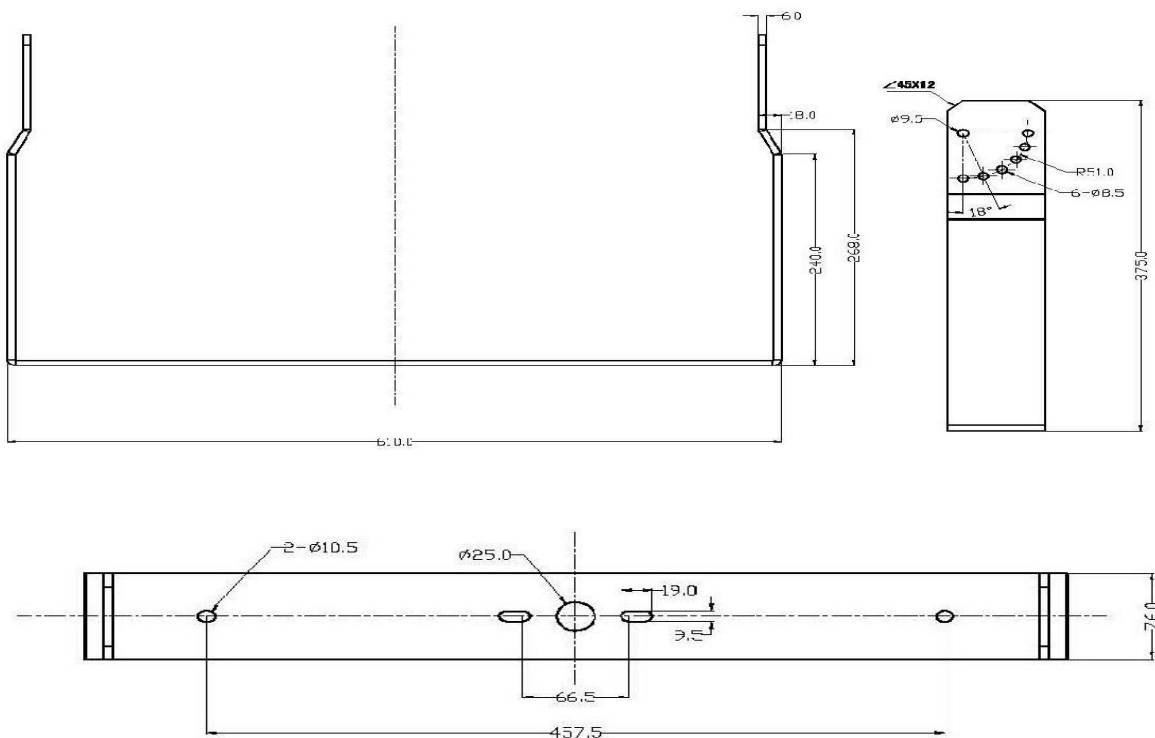
Slip Fitter



Swivel Mount



Yoke Mount



※ **Mounting: Standard Slip Fitter for Round Pole (O.D. 2" to 2-3/8"); Extruded 6" arm for square pole; Optional Swivel Mount or Yoke Mount for square pole or wall mount.**