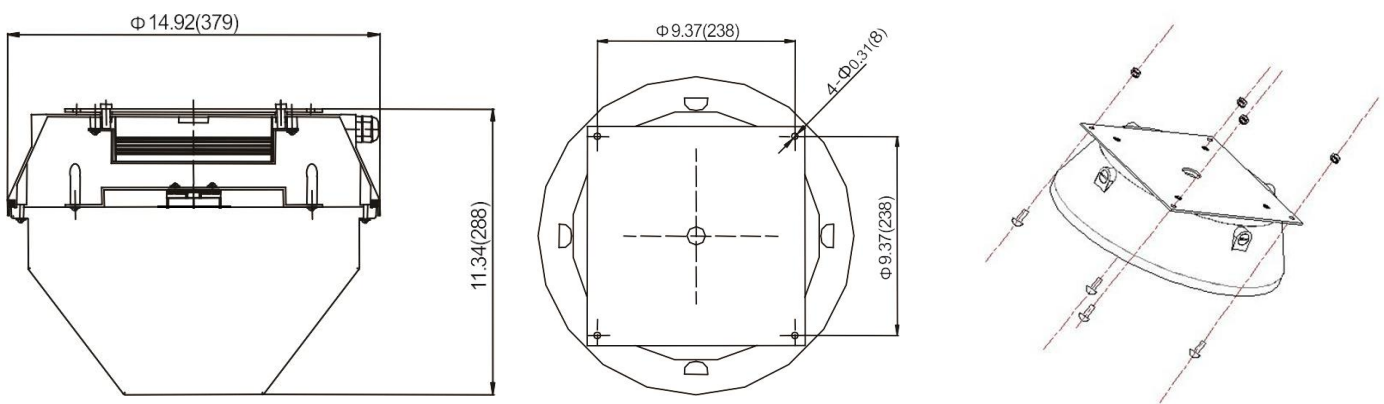


**1. Main Data:**

Fixture Model	Lamp Type	Input Voltage	Input Wattage	Input Current	Ballast Model	Power Factor	Net Weight (lbs)
RCL-40E	RT40W	120-277V AC 50/60Hz	42W	0.35~0.15A	MHT-ST-40-U	0.95	8.0
RCL-55E	RT55W		58W	0.49~0.21A	MHT-ST-55-U	0.95	8.0
RCL-70E	RT70W		74W	0.61~0.27A	MHT-ST-70-U	0.95	8.4
RCL-80E	RT80W		84W	0.70~0.30A	MHT-ST-80-U	0.95	8.4

2. Dimensions: inch(mm)

※ **Installation: Standard Surface Mount & 3/4" Pendant. Optional 1/2" Pendant.**

3. Installation and Maintenance Instructions:

- 3.1 This product is to be installed and serviced by a certified electrician.
- 3.2 Maintenance is to be performed when the power is off and the lamp has cooled down.
- 3.3 The Luminaire should be installed in an area with good ventilation, clear of any corrosive or combustible gases and explosive objects.
- 3.4 A supply voltage tolerance of +/- 10% is allowable. An improper installation outside of this range or with the incorrect input voltage will influence the normal operation of this luminaire and result in damage to the lamp and electronic ballast.
- 3.5 The luminaire must be properly grounded to prevent accidental electrical shocks, and to prevent interference from the electrical ballast affecting the normal operation of the luminaire.
- 3.6 Do not remove the lamp or open the lens when the luminaire is powered on.

Note: This information is subject to change without notice



Warning: The Luminaire must be grounded properly to prevent electrical shocks and accidental power leakage.