

INSTALLATION INSTRUCTION

Garage Light Series – MHT-LPCL

WARNING

DISCONNECT POWER DURING INSTALLATION AND BEFORE SERVICING.
READ ALL INSTRUCTIONS COMPLETELY BEFORE START INSTALLATION.

SAFETY PRECAUTIONS:

- Before installation, turn off circuit breaker. (Turn off light switch is not sufficient to prevent electrical shock) All work should be done by certified electrician.
- Fixture should be ceiling mounted and located at least 12” away from any structural detail.

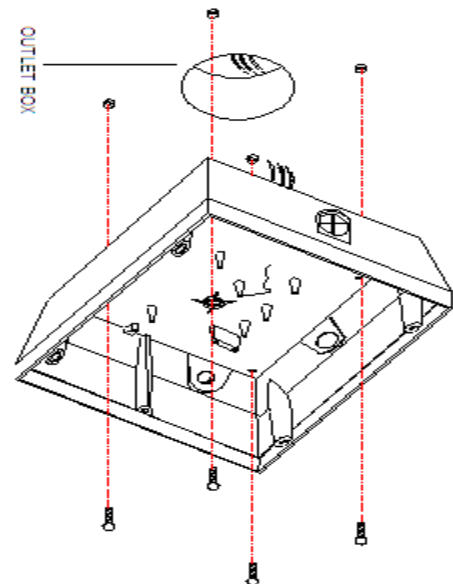
MOUNTING:

1. Remove lens and reflector from the fixture.
2. Connect leads from junction box to ballast inside the fixture.
3. Install fixture to the ceiling using four screws at each corner.
4. Place reflector and lens back, tighten all screws to ensure gasket is sealed properly.

ELECTRICAL CONNECTION:

For 120/220/277V, connect white wire from ballast to neutral, black wire from ballast to line voltage. For 208/240V, connect line voltage to white wire from ballast and another line voltage to black wire from ballast (ensure all connections with wire nuts or caps). Connect green wire from the ballast to ground.

NOTE: It is recommended that fixture be attached securely by drilling through the four corners in the back of the fixture and attach to a flat surface (hardware is not supplied). All unused knockouts must be plugged (use weatherproof silicone sealant to insure sealing).



IMPORTANT: to weather-proof your outdoor installation, ensure to seal all housing (Mounting, Conduit, Plugs, etc.) with silicone sealant.

REPLACING LAMP OR BALLAST:

CAUTION - DISCONNECT ELECTRICAL CIRCUIT BEFORE REPLACING LAMP OR BALLAST.

IF LIGHT DOES NOT WORK:

- Check your power source (110-277V)
- Check electrical connections
- Check for crack on the lamp