

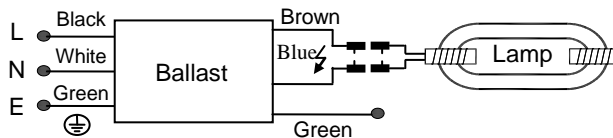


1. Main Data:

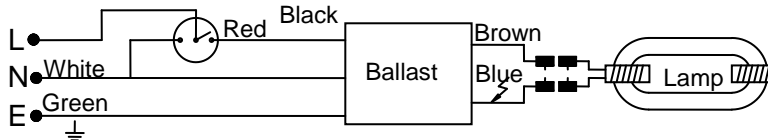
Fixture Model	Lamp Type	Input Voltage (VAC)	Input Power (W)	Input Current (A)	Ballast Model	Power Factor	Fixture Net Weight (lbs)	Ballast Net Weight (lbs)
MHT-FLD-150E	ST150W	120-277V AC 50/60Hz	158	1.31~0.59	MHTST-150-U-TL	>0.95	22.5	3.6
MHT-FLD-200E	ST200W		210	1.75~0.76	MHTST-200-U-TL	>0.95	24.2	4.4

2. Circuit Diagram:

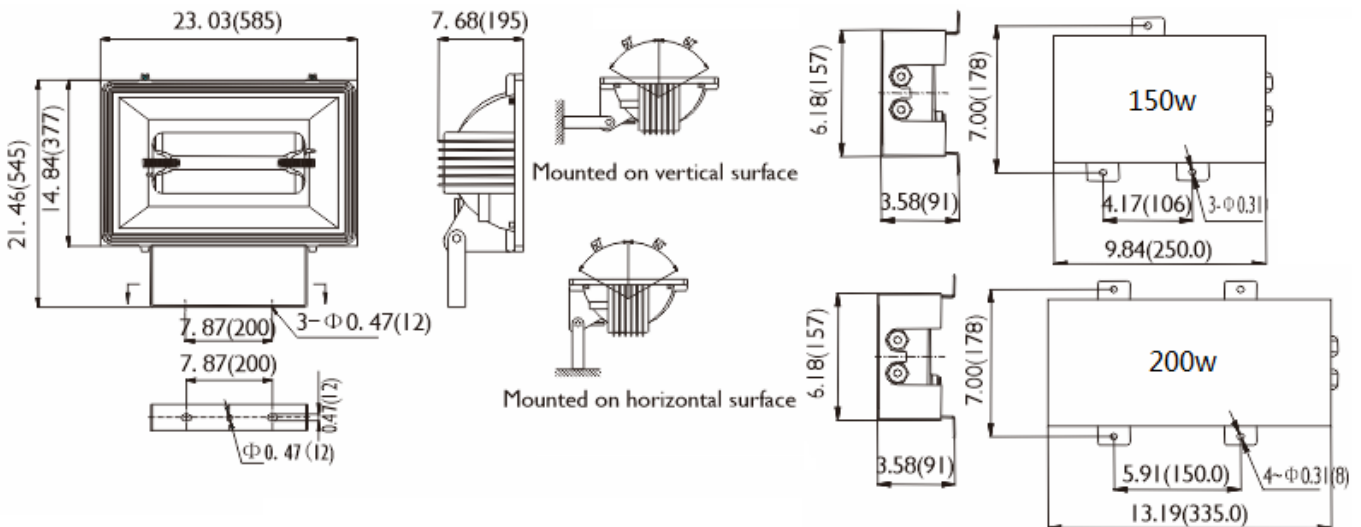
Without Photocell



With Photocell (Remote Mount)



3. Dimensions: inch (mm)



A special bulb is required for upward lighting, and indoor use only for upward lighting.

4. Installation and Maintenance Instructions:

4.1 Pole mounted height should not be higher than 12m (40ft), and the power supply's lead wire no more than 15m (50ft).

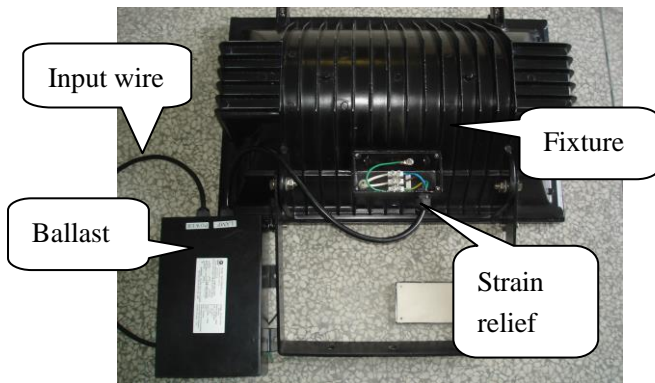
4.2 Fixture's flexible cord is SJTW, SJTOW, STW or STOW.



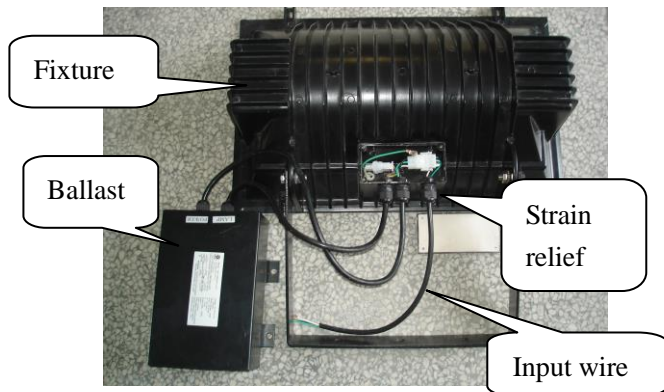
4.3 Two method of connecting wire:

4.3.1 Method one: See picture A for UL certified (USA only) method. Attach strain relief cable from fixture to strain relief cable from the ballast, and the power supply input wire to the second strain relief cable on the ballast.

4.3.2 Method two: See picture B for UL certified (USA) or CUL certified (CUL) method. Attach both strain relief cables from the ballast to the fixture. The power supply wire will be connected to the strain relief from the fixture.



Picture A: Suitable for USA



Picture B: Suitable for both USA and Canada

4.4 This product is to be installed and serviced by a certified electrician.

4.5 Luminaire has a high operating temperature, so maintenance is to be performed when the power is off and the lamp has cooled down.

4.6 The Luminaire should be installed in an area with good ventilation, clear of any corrosive or combustible gases and explosive objects.

4.7 A supply voltage tolerance of +/- 10% is allowable. An improper installation outside of this range or with the incorrect input voltage will influence the normal operation of this luminaire and result in damage to the lamp and electronic ballast.

4.8 The luminaire must be properly grounded to prevent accidental electrical shocks, and to prevent interference from the electrical ballast affecting the normal operation of the luminaire.

4.9 Do not remove the lamp or open the front lens when the luminaire is powered on.

4.10 Input wires connecting the fixture to a branch circuit must have the wiring connections placed in a waterproof terminal box and a tensile device.

Note: This information is subject to change without notice