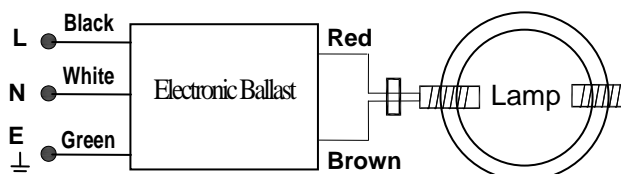


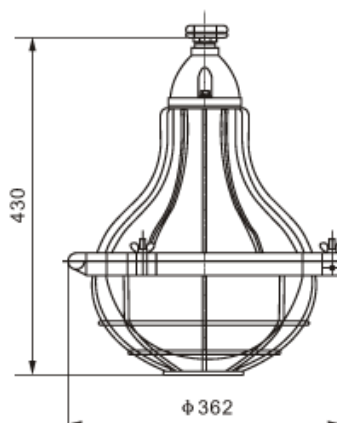
## **1. Main Data:**

Model	Lamp Type	Electronic Ballast	Rated Wattage	Input Current	Ballast Model	Power Factor	Weight (kg)
EP-80E	RT80W	120-277V (-10%~+10%) 50/60Hz	80	0.70~0.32	WJY80DH01-U-EP	>0.95	6.8
EP-70E	RT70W		70	0.62~0.27	WJY70DH01-U-EP		6.8

## **2. Circuit Diagram:**



## **3. Dimensions:**



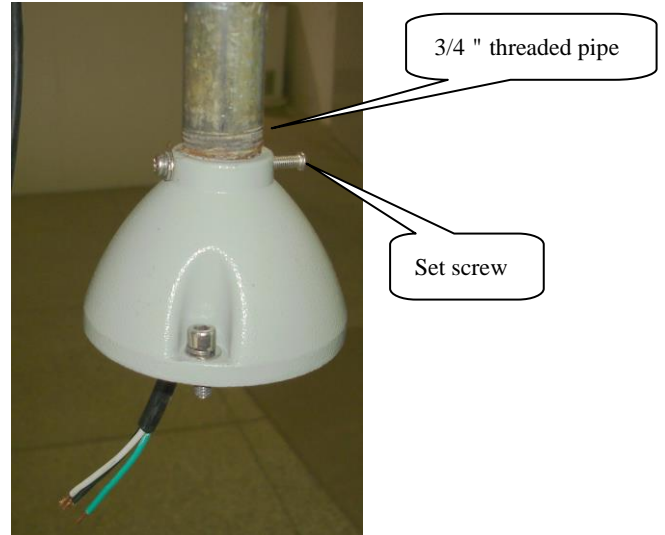
## **4. Installation and Maintenance Instructions:**

*(This information is subject to change without notice)*

- 4.1 This product is to be installed and serviced by a certified electrician.
- 4.2 Maintenance is to be performed when the power is off and the lamp is cold down.
- 4.3 The Luminaire should be installed in an area with good ventilation, clear of any corrosive or combustible gases and explosive objects.
- 4.4 A supply voltage tolerance of +/- 10% is allowable. An improper installation outside of this range or with the incorrect input voltage will influence the normal operation of this luminaire and result in damage to the lamp and electronic ballast.
- 4.5 The luminaire must be properly grounded to prevent accidental electrical shocks, and to prevent interference from the electrical ballast affecting the normal operation of the luminaire.
- 4.6 Do not remove the lamp when the luminaire is powered on.
- 4.7 To prevent damage to the bulb, replace the lens if it becomes cracked.

## **5. Installation Instruction:**

5.1 Remove top cover and install it on 3/4 " threaded pipe. Tighten set screw.



5.2 Connect incoming power source from the pipe to fixture, make sure all connection is secured and install fixture back to top cover.

