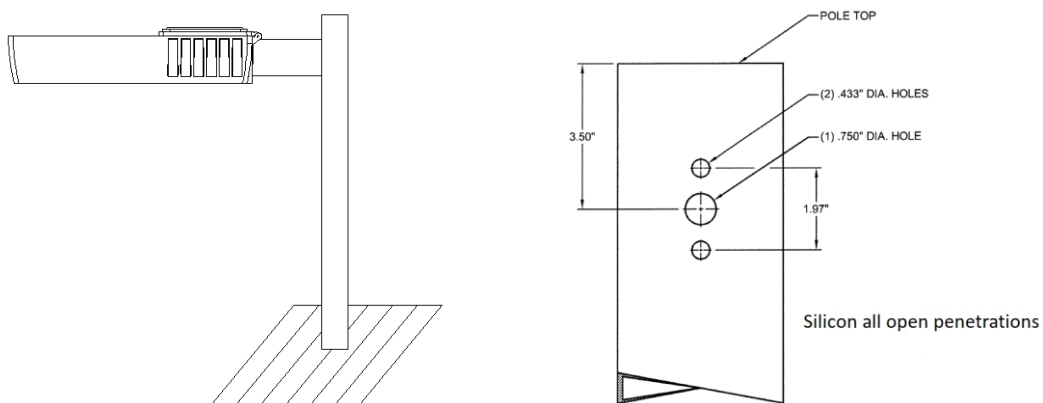


**Maintenance Instructions:**

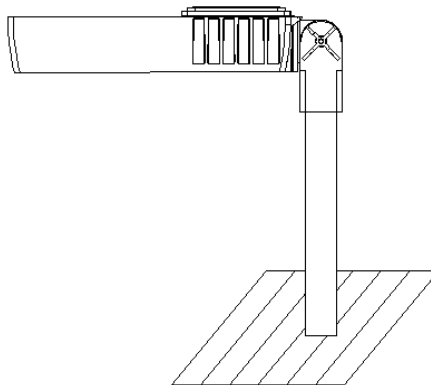
1. This product is to be installed and serviced by a certified electrician.
2. The Luminaire should be installed in an area with good ventilation, clear of any corrosive or combustible gases and explosive objects.
3. Secure ballast compartment tight.
4. A supply voltage tolerance of +/- 10% is allowable. An improper installation outside of this range or with the incorrect input voltage will influence the normal operation of this luminaire and result in damage to the lamp and electronic ballast.
5. The luminaire must be properly grounded to prevent accidental electrical shocks, and to prevent interference from the electrical ballast affecting the normal operation of the luminaire.
6. Standard 6kV line to line and 10kV line to earth surge protection.

**Mounting Options:**

1. EA6/EA10 – 6” or 10” Extruded Arm for Square Pole (Non-Adjustable; 1ft power cord is included)



2. SF – Slip Fitter (Fits 2-1/8” to 2-3/8” O.D. Round Pole; Adjustable; Comes with 1ft leads)



3. SW – Swivel Bracket (Surface Mount, Square Pole or Wall. Adjustable; 1ft power cord is included)

