

INDUCTION WALLPACK

MHT-WP-XC SERIES

Project _____

Part Number _____

Quantity _____



APPLICATIONS

- Building Exterior
- Perimeter/Safety Lighting
- Parking Lots
- Garages
- ATM's

FEATURES

- >100,000 Hours Rated Lifespan (IESNA)
- 10-years or 60,000 Hours Warranty
- Die Cast Aluminum Housing (Dark Bronze)
- Prismatic Borosilicate Glass Lens
- Aluminum Mirror Reflector
- Surface Wall Mount Bracket - Quick Installation
- Ambient Temperature -20 to 120 °F



LAMP/BALLAST

- 120 - 277V Universal Input Voltage
- Optional 347V or 480V
- 0-10V Dimming Ballast - Minimum 40%
- Power Factor > 0.95, THD < 10%
- Instant-On, Flicker Free, Minimum Light Loss
- Color Temperature 3000K/4000K/5000K
- CRI > 85 - Excellent Color Rendition
- Surge Protection

Model	Rated Wattage	Input Wattage	Replaces	Lamp Lm/W	Lamp Lumen	Dimensions
MHT-WP-XC-40E	40W	42W	MH - 70W HPS - 70W	80-82	3,240	18" x 9" x 13"
MHT-WP-XC-55E	55W	58W	MH - 100W HPS - 100W	80-82	4,455	
MHT-WP-XC-70E	70W	74W	MH - 100W HPS - 150W	80-82	5,600	
MHT-WP-XC-80E	80W	84W	MH - 150W HPS - 150W	82-85	6,720	
MHT-WP-XC-100E	100W	105W	MH - 175W HPS - 200W	82-85	8,400	
MHT-WP-XC-120E	120W	126W	MH - 200W HPS - 250W	82-85	10,080	



Manufactured in the USA

Toll Free **888-511-7780** • www.mhtlighting.com



INDUCTION WALLPACK

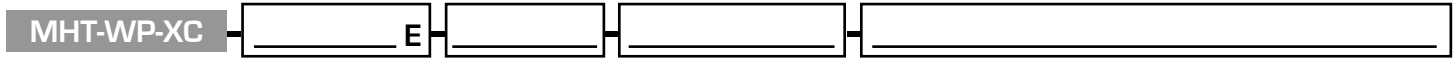
MHT-WP-XC SERIES

Project _____

Part Number _____

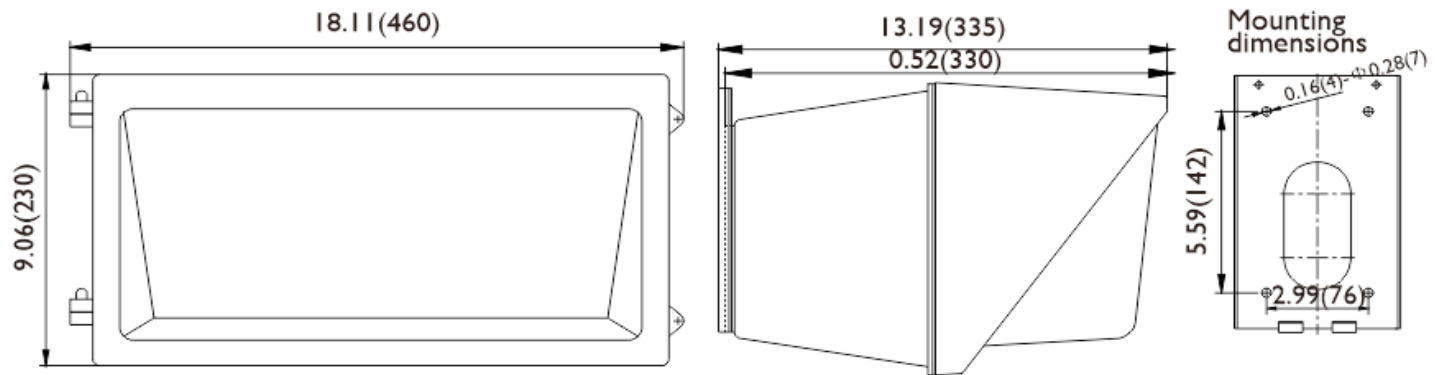
Quantity _____

ORDERING CODES



<u>Wattage:</u> 40, 55, 70, 80, 100, 120	<u>Color Temp:</u> 3K=3000K 4K=4000K 5K=5000K	<u>Input Voltage:</u> U=120~277V 347=208~347V 480=480V	<u>Option:</u> (Standard in Dark Bronze) PR3=3-Pin Photocell Receptacle Only PR7=7-Pin Photocell Receptacle Only PC3=3-Pin Photocell PC7=7-Pin Photocell SPD=Surge Protective Device DB=0-10V Dimming Ballast (Minimum 40%) OS-Dim=Dimming Base On Motion OS-ON/OFF=ON/OFF Base On Motion
--	--	---	--

DIMENSIONS



- Wall Mount Bracket Bolt Patterns 3" x 5 5/8", Hole Size 3/16"

- MHT Products are UL Listed and Assembled in ISO9000/1 Certified US Facility
- Every Product is Quality Tested and Inspected Prior to Shipment
- MHT Lighting Offers a 10-year or 60,000 Hours Warranty (See Warranty Terms and Conditions)
- Proudly Manufactured in the USA
- For Product IES Files Please Contact Your Local Rep

MHT Plant Operations
1961 Richmond Terrace
Staten Island, New York 10302
Tel: (718) 524-4370
Fax: (718) 524-4390

West Coast Operations
2285 Michael Faraday Dr. Suite 10
San Diego, California 92154
Tel: (619) 661-0600

www.mhtlighting.com
888-511-7780

MHT Confidential
Rev Date: December 2017