

# INDUCTION COBRA HEAD

## MHT-CHD-XC SERIES

Project \_\_\_\_\_

Part Number \_\_\_\_\_

Quantity \_\_\_\_\_



### APPLICATIONS

- Street Lighting
- Roadways
- Parking Lots
- Public Areas

### FEATURES

- 100,000 Hours Rated Lifespan (IESNA)
- 10-year or 60,000 Hours Warranty
- Die Cast Aluminum Housing (Grey)
- Type II Distribution
- Fits O.D. Ø2"-2.36" Round Pole
- Standard Flat Clear Tempered Glass Lens
- Optional Borosilicate Drop Glass Lens or Prismatic Drop PC Lens
- Ambient Temperature -20 to 120 °F



### LAMP/BALLAST

- 120-277V Universal Input Voltage
- Available 0-10V Dimming - Minimum 40%
- Power Factor > 0.95, THD < 10%
- Instant-On, Flicker Free, Minimum Light Loss
- Color Temperature 3000K/4000K/5000K
- CRI > 85 - Excellent Color Rendition

Model	Rated Wattage	Input Wattage	Replaces	Lamp Lm/W	Lamp Lumen	EPA at 0° (ft²)	Dimensions	Lens
MHT-CHD-XC-40E	40W	42W	MH - 70W HPS - 70W	80-82	3,240	2.37	27" x 13.2" x 6.7"	Flat Glass, Drop PC, Drop Glass
MHT-CHD-XC-55E	55W	58W	MH - 70W HPS - 100W	80-82	4,400			
MHT-CHD-XC-70E	70W	74W	MH - 100W HPS - 150W	80-82	5,600			
MHT-CHD-XC-80E	80W	84W	MH - 150W HPS - 150W	82-85	6,720			
MHT-CHD-XC-100E	100W	105W	MH - 175W HPS - 200W	82-85	8,400			



Manufactured in the USA

Toll Free **888-511-7780** • [www.mhtlighting.com](http://www.mhtlighting.com)



# INDUCTION COBRA HEAD

## MHT-CHD-XC SERIES

Project \_\_\_\_\_  
 Part Number \_\_\_\_\_  
 Quantity \_\_\_\_\_

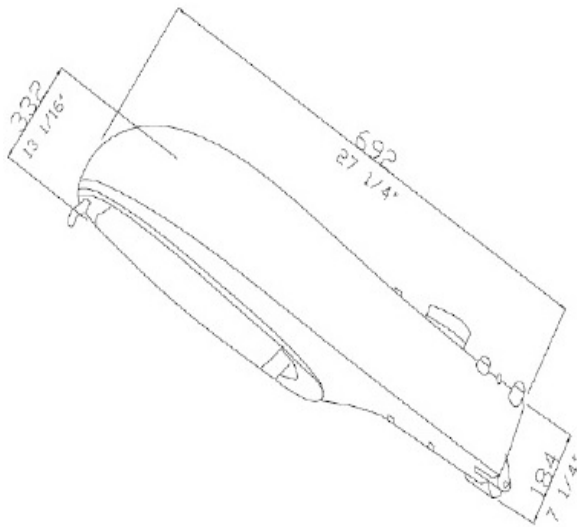
### ORDERING CODES

MHT-CHD-XC  E

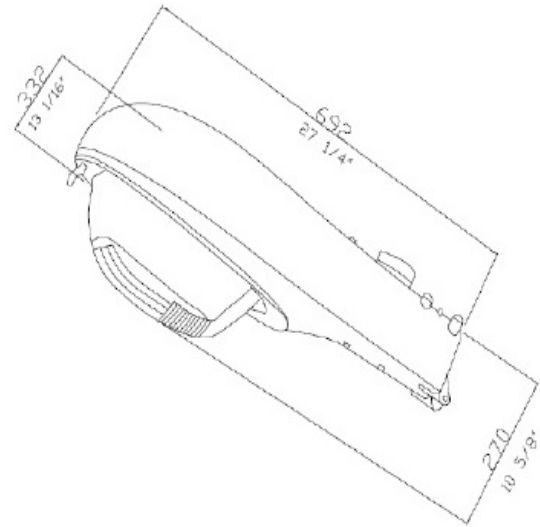
<u>Wattage:</u>	<u>Color Temp:</u>	<u>Input Voltage:</u>	<u>Lens:</u>	<u>Option:</u>
40, 55,	3K=3000K	U=120-277V	FG=Flat Glass	(Standard in Grey)
70, 80,	4K=4000K	347=208-347V	PL=Prismatic PC	PC3=3-Pin Photocell
100	5K=5000K	480=480V	BG=Borosilicate Glass	PC7=7-Pin Photocell
				PR3=3-Pin Photocell Receptacle Only
				PR7=7-Pin Photocell Receptacle Only
				SPD=Surge Protective Device
				DB=0-10V Dimming Ballast (Minimum 40%)

### DIMENSIONS

Flat Glass



Borosilicate Glass



- MHT Products are ETL Listed and Assembled in ISO9000/1 Certified US Facility
- Every Product is Quality Tested and Inspected Prior to Shipment
- MHT Lighting Offers a 10-year or 60,000 Hours Warranty (See Warranty Terms and Conditions)
- Proudly Manufactured in the USA
- For Product IES Files Please Contact Your Local Rep

#### MHT Plant Operations

1961 Richmond Terrace  
 Staten Island, New York 10302  
 Tel: (718) 524-4370  
 Fax: (718) 524-4390

#### West Coast Operations

2285 Michael Faraday Dr. Suite 10  
 San Diego, California 92154  
 Tel: (619) 661-0600

[www.mhtlighting.com](http://www.mhtlighting.com)

**888-511-7780**

MHT Confidential  
 Rev Date: December 2017