

INDUCTION ACORN

MHT-ANL-XC SERIES

Project _____

Part Number _____

Quantity _____



APPLICATIONS

- Parks
- Walkways
- Historic Areas
- Decorative



FEATURES

- >60,000 Hours Rated Lifespan (IESNA)
- 5-year or 30,000 Hours Warranty
- Post Top Tenon Mounting
- NEMA Type 5 Distribution
- Fits O.D. 3.5" Round Pole
- Ambient Temperature -20 to 120 °F



LAMP/BALLAST

- 120-277V Universal Input Voltage
- Operating Frequency 50Hz/60Hz
- Available 0-10V Dimming - Minimum 40%
- Power Factor > 0.95, THD < 10%
- Instant-On, Flicker Free, Minimum Light Loss
- Spherical Induction Bulb Design
- Color Temperature 3000K/4000K/5000K
- CRI > 85 - Excellent Color Rendition

Model	Rated Wattage	Input Wattage	Replaces	Lamp Lm/W	Lamp Lumen	EPA (ft ²)	Lens
MHT-ANL-XC-35E	35W	37W	MH - 70W HPS - 70W	80-82	2,800	3.41	Glass, PC
MHT-ANL-XC-55E	55W	58W	MH - 100W HPS - 100W	80-82	4,400		
MHT-ANL-XC-85E	85W	89W	MH - 150W HPS - 150W	82-85	7,140		



Manufactured in the USA

Toll Free **888-511-7780** • www.mhtlighting.com



INDUCTION ACORN

MHT-ANL-XC SERIES

Project _____

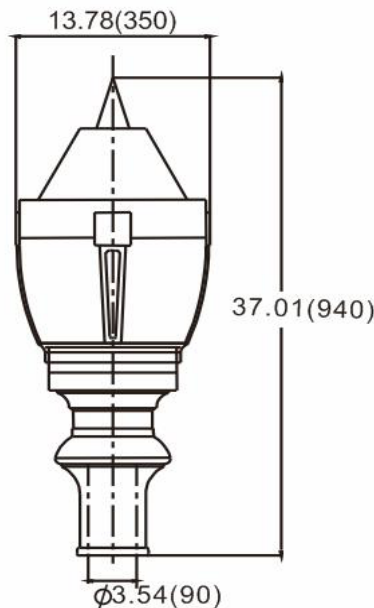
Part Number _____

Quantity _____

ORDERING CODES

MHT-ANL-XC	-	<input type="text"/>	E	-	<input type="text"/>	-	<input type="text"/>	-	<input type="text"/>
<u>Wattage:</u>		<u>Color Temp:</u>		<u>Input Voltage:</u>		<u>Option:</u>			
35, 55, 85		3K = 3000K 4K = 4000K 5K = 5000K		U = 120~277V 347 = 208~347V		(Custom Color Available. Standard in Green) GL = Borosilicate Glass Lens (Standard) PL = PC Lens DB = 0-10V Dimming Ballast (Minimum 40%) SPD = Surge Protective Device			

DIMENSIONS



- Standard 6" Cord from Bottom (Specify Other Length)
- Fits O.D. 3.25" to 3.5" Round Pole

- MHT Products are Assembled in ISO9000/1 Certified US Facility
- Every Product is Quality Tested and Inspected Prior to Shipment
- MHT Lighting Offers a 5-year or 30,000 Hours Warranty (See Warranty Terms and Conditions)
- Proudly Manufactured in the USA
- For Product IES Files Please Contact Your Local Rep

MHT Plant Operations

1961 Richmond Terrace
Staten Island, New York 10302
Tel: (718) 524-4370
Fax: (718) 524-4390

West Coast Operations

2285 Michael Faraday Dr. Suite 10
San Diego, California 92154
Tel: (619) 661-0600

www.mhtlighting.com

888-511-7780

MHT Confidential
Rev Date: December 2017