

GAS STATION RETRO SOLUTION

MHT-RS-GS SERIES

Project _____
 Part Number _____
 Quantity _____



APPLICATIONS

- 250W-400W HID Gas Station Fixtures



FEATURES

- >100,000 Hours Rated Lifespan (IESNA)
- 5-year Warranty
- Aluminum Reflector With Vacuum Coating
- One-piece Design
- 10 Minute Installation - Saves Both Install and Energy Costs
- Isolated Ballast for Better Heat Dissipation
- Borosilicate Prismatic Glass Lens
- Ambient Temperature -20 to 120 °F (Consistent Extremes Do Not Apply)



LAMP/BALLAST

- 120 - 277V Universal Input Voltage
- Optional 347V or 480V
- 0-10V Dimming Ballast - Minimum 40%
- Power Factor > 0.95, THD < 10%
- 150W/200/250W Round Tubular Lamp
- Color Temperature 3000K/4000K/5000K
- CRI > 85 - Excellent Color Rendition
- Surge Protection

Model	Rated Wattage	Input Wattage	Replaces	Lm/W	Lumen	Dimensions
MHT-RS-GS-150E	150W	158W	MH - 250W HPS - 310W	82-85	12,600	24"x24"x11.8"
MHT-RS-GS-200E	200W	210W	MH - 350W HPS - 400W	82-85	16,800	
MHT-RS-GS-250E	250W	263W	MH - 400W HPS - 400W	85-88	21,750	

- Minimum 16"x16" Opening Under Canopy



Manufactured in the USA

Toll Free **888-511-7780** • www.mhtlighting.com



GAS STATION RETRO SOLUTION

MHT-RS-GS SERIES

Project _____

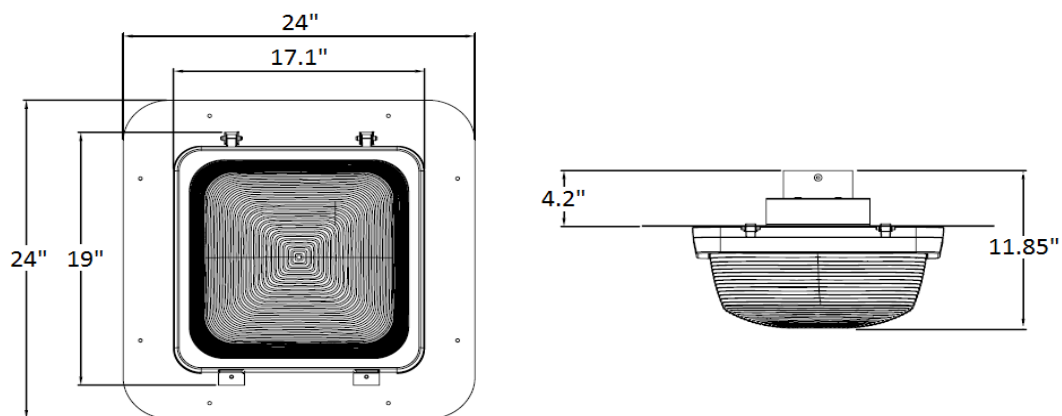
Part Number _____

Quantity _____

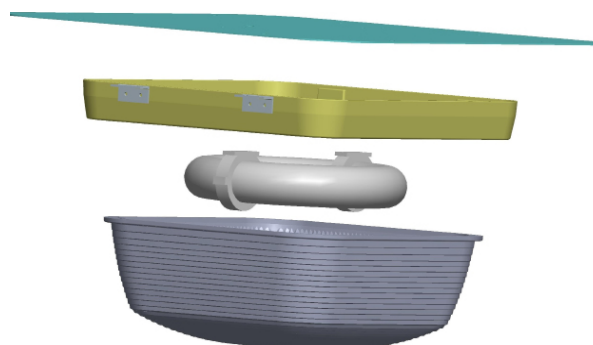
ORDERING CODES

MHT-RS-GS	-	<input type="text"/>	-	<input type="text"/>	-	<input type="text"/>	-	<input type="text"/>
		E						
Wattage:	Color Temp:	Input Voltage:	Option:					
150,	3K=3000K	U=120~277V	DB=0-10V Dimming Ballast (Minimum 40%)					
200,	4K=4000K	347=208~347V	SPD=Surge Protective Device					
250	5K=5000K	480=480V	CMP=Custom Mounting Plate (Specify Size and Details)					

DIMENSIONS



EXPLODED VIEW



- Ballast can be mounted on the top side of the plate or remotely.

- MHT Products are UL Recognized and Assembled in ISO9000/1 Certified US Facility
- Every Product is Quality Tested and Inspected Prior to Shipment
- MHT Lighting Offers a 5-year Warranty (Please Call for Warranty Terms and Conditions)
- Proudly Manufactured in the USA

MHT Plant Operations

1961 Richmond Terrace
Staten Island, New York 10302
Tel: (718) 524-4370
Fax: (718) 524-4390

West Coast Operations

2285 Michael Faraday Dr. Suite 10
San Diego, California 92154
Tel: (619) 661-0600

www.mhtlighting.com

888-511-7780

MHT Confidential
Rev Date: December 2017