

GARAGE RETRO SOLUTION

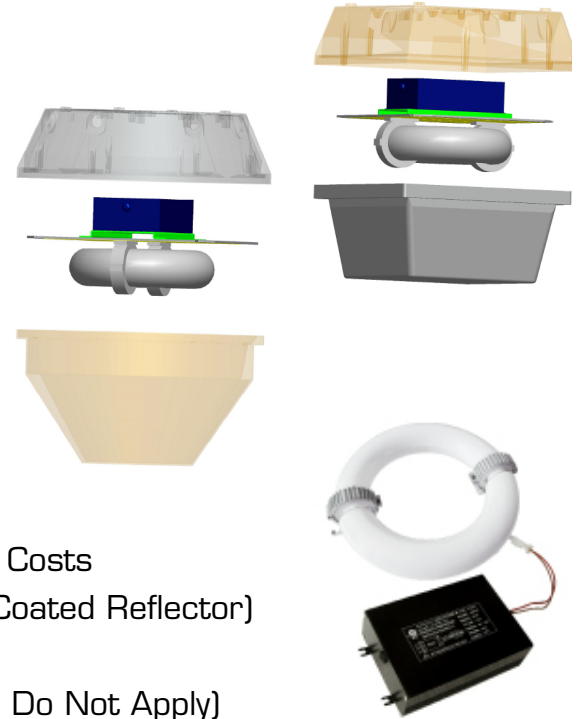
MHT-RS-CL SERIES

Project _____
 Part Number _____
 Quantity _____



APPLICATIONS

- Round and Square HID Canopy or Garage Fixtures



FEATURES

- >100,000 Hours Rated Lifespan (IESNA)
- 5-year Warranty
- Design For Most Round/Square HID Garage Fixtures
- 10 Minute Installation - Saves Both Installation and Energy Costs
- One-piece Design (with Lamp, Ballast, and White Powder Coated Reflector)
- Optional Mirror Reflector To Optimize Light Output
- Ambient Temperature -20 to 120 °F (Consistent Extremes Do Not Apply)

LAMP/BALLAST

- 120 - 277V Universal Input Voltage
- Optional 347V or 480V
- Available 0-10V Dimming - Minimum 40%
- Power Factor > 0.95, THD < 10%
- Instant-On, Flicker Free, Minimum Light Loss
- Color Temperature 3000K/4000K/5000K
- CRI > 85 - Excellent Color Rendition
- 40-80W Round Tubular Lamp

Model	Rated Wattage	Input Wattage	Replaces	Lm/W	Lumen	Dimensions
MHT-RS-CL-40E	40W	42W	MH - 70W HPS - 100W	80-82	3,240	11.6" x 10.3 x 6"
MHT-RS-CL-55E	55W	58W	MH - 100W HPS - 100W	80-82	4,455	
MHT-RS-CL-70E	70W	74W	MH - 100W HPS - 150W	82-85	5,880	
MHT-RS-CL-80E	80W	84W	MH - 150W HPS - 150W	82-85	6,720	

- Minimum Lamp and Ballast Compartment Area: 12" x 12", H: 3.5"



Manufactured in the USA

Toll Free **888-511-7780** • www.mhtlighting.com



GARAGE RETRO SOLUTION

MHT-RS-CL SERIES

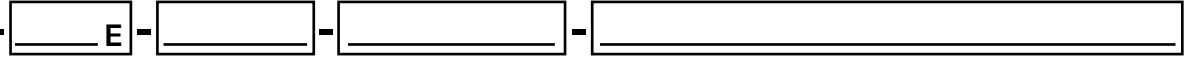
Project _____

Part Number _____

Quantity _____

ORDERING CODES

MHT-RS-CL



Wattage:

40, 55,

70, 80

Color Temp:

3K=3000K

4K=4000K

5K=5000K

Input Voltage:

U=120~277V

347=208~347V

480=480V

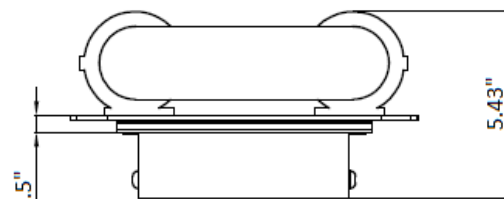
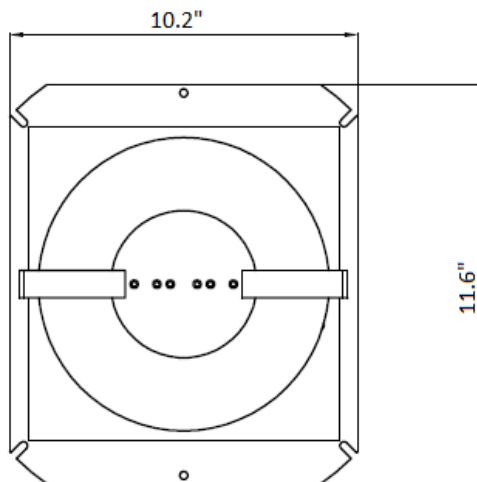
Option:

DB=0-10V Dimming Ballast (Minimum 40%)

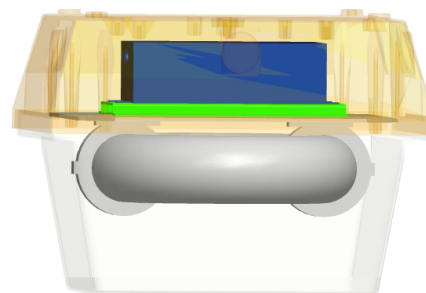
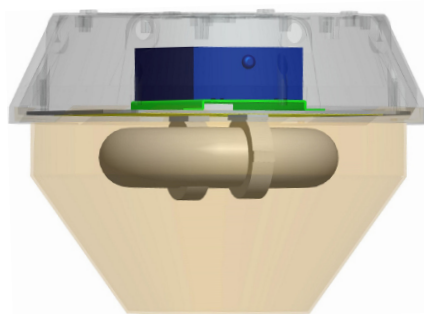
SPD=Surge Protective Device

CMP=Custom Mounting Plate
(Specify Size and Details)

DIMENSIONS



INSTALLED PICTURES



- MHT Products are UL Recognized and Assembled in ISO9000/1 Certified US Facility
- Every Product is Quality Tested and Inspected Prior to Shipment
- MHT Lighting Offers a 5-year Warranty (Please Call for Warranty Terms and Conditions)
- Proudly Manufactured in the USA

MHT Plant Operations

1961 Richmond Terrace
Staten Island, New York 10302
Tel: (718) 524-4370
Fax: (718) 524-4390

West Coast Operations

2285 Michael Faraday Dr. Suite 10
San Diego, California 92154
Tel: (619) 661-0600

www.mhtlighting.com

888-511-7780

MHT Confidential
Rev Date: December 2017