

SQUARE TYPE LAMP AND BALLAST KIT

MHT-ST SERIES

Project _____

Part Number _____

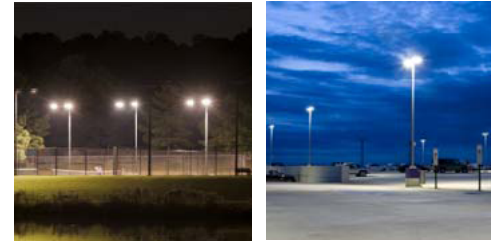
Quantity _____



APPLICATIONS

RETROFITS

- Shoebox
- Flood Lights
- Specialty Fixtures
- Indoor Linear Fixtures



FEATURES

- >100,000 Hours Rated Lifespan (IESNA)
- 5-year or 30,000 Hours Warranty (Pending Fixture Approval from MHT)
- Profiled Aluminum or IP65 Die Casted Aluminum Ballast Housing
- Includes Mounting Bracket for Lamp
- Ambient Temperature -20 to 120 °F (Consistent Extremes Do Not Apply)
- Custom Retrofits, Engineered Heat Testing Available



LAMP/BALLAST

- 120 - 277V Universal Input Voltage
- Optional 347V or 480V
- Available 0-10V Dimming Ballast - Minimum 40%
- Power Factor > 0.95, THD < 10%
- Instant-On, Flicker Free, Minimum Light Loss
- Color Temperature 3000K/4000K/5000K
- CRI > 85 - Excellent Color Rendition
- Surge Protection

Model	Rated Wattage	Input Wattage	Replaces	Lamp Lm/W	Lamp Lumen	Input Voltage	Input Current
MHT-ST-40E	40W	42W	MH - 70W/HPS - 70W	80-82	3,200	120~277V	0.35 - 0.15A
MHT-ST-55E	55W	58W	MH - 100W/HPS - 100W	80-82	4,400		0.49 - 0.21A
MHT-ST-70E	70W	74W	MH - 100W/HPS - 150W	80-82	5,600		0.61 - 0.27A
MHT-ST-80E	80W	84W	MH - 150W/HPS - 150W	82-85	6,720		0.70 - 0.30A
MHT-ST-100E	100W	105W	MH - 175W/HPS - 200W	82-85	8,400		0.88 - 0.38A
MHT-ST-120E	120W	126W	MH - 200W/HPS - 200W	82-85	10,080		1.05 - 0.45A
MHT-ST-150E	150W	158W	MH - 250W/HPS - 300W	82-85	12,600		1.31 - 0.59A
MHT-ST-200E	200W	210W	MH - 360W/HPS - 400W	82-85	16,800		1.75 - 0.76A
MHT-ST-250E	250W	263W	MH - 400W/HPS - 500W	88-90	22,250		2.19 - 0.95A
MHT-ST-300E	300W	315W	MH - 500W/HPS - 600W	88-90	26,700		2.63 - 1.14A
MHT-ST-400E	400W	420W	MH - 750W/HPS - 750W	88-90	36,000		3.50 - 1.52A
MHT-ST-500E	500W	525W	MH - 750W/HPS - 1000W	88-90	45,000		2.60 - 1.90A



Manufactured in the USA

Toll Free **888-511-7780** • www.mhtlighting.com



SQUARE TYPE LAMP AND BALLAST KIT

MHT-ST SERIES

Project _____

Part Number _____

Quantity _____

ORDERING CODES

MHT-ST E

Wattage: 40, 55, 70, 80, 100, 120, 150, 200, 250, 300, 400, 500
Color Temp: 3K=3000K, 4K=4000K, 5K=5000K
Input Voltage: U=120~277V, 347=347V, 480=480V
Ballast Housing: PA=Profiled Aluminum, DA=Die Cast Aluminum
Option: DB=0-10V Dimming Ballast (Minimum 40%), CMB=Custom Mounting Bracket (Specify Size and Details)

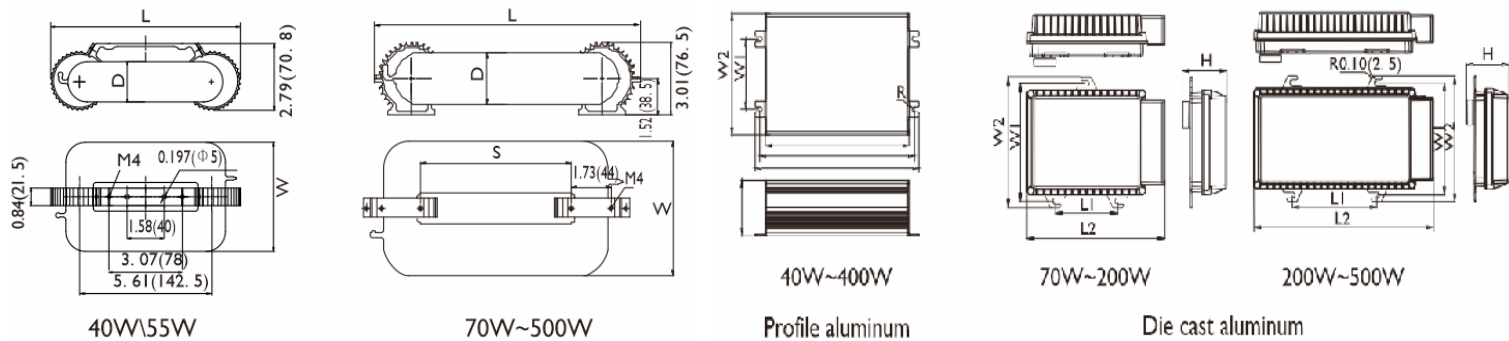
DIMENSIONS

LAMP DIMENSIONS

inches (mm)	Tube Diameter	W	L
MHT-ST-40E	1.65 (42)	4.65 (118)	8.0 (202)
MHT-ST-55E	1.65 (42)	4.65 (118)	8.0 (202)
MHT-ST-70E	2.13 (54)	5.6 (142)	9.65 (245)
MHT-ST-80E	2.13 (54)	5.6 (142)	9.65 (245)
MHT-ST-100E	2.13 (54)	5.6 (142)	11.6 (295)
MHT-ST-120E	2.13 (54)	5.6 (142)	13.2 (335)
MHT-ST-150E	2.13 (54)	5.6 (142)	15.3 (388)
MHT-ST-200E	2.28 (58)	7.4 (188)	17.1 (434)
MHT-ST-250E	2.28 (58)	7.4 (188)	23.0 (584)
MHT-ST-300E	2.28 (58)	7.4 (188)	26.93 (684)
MHT-ST-400E	2.28 (58)	7.4 (188)	34.8 (884)
MHT-ST-500E	2.28 (58)	7.4 (188)	34.8 (884)

BALLAST DIMENSIONS

inches (mm)	L1	L3	W2	H1
MHT-ST-40E	5.2 (132)	6.0 (152)	3.7 (93)	1.6 (41)
MHT-ST-55E	5.2 (132)	6.0 (152)	3.7 (93)	1.6 (41)
MHT-ST-70E	6.2 (158)	7.1 (180)	4.1 (105)	1.9 (48)
MHT-ST-80E	6.2 (158)	7.1 (180)	4.1 (105)	1.9 (48)
MHT-ST-100E	6.2 (158)	7.1 (180)	4.1 (105)	1.9 (48)
MHT-ST-120E	7.44 (189)	8.5 (215)	4.7 (120)	2.1 (53)
MHT-ST-150E	7.44 (189)	8.5 (215)	4.7 (120)	2.1 (53)
MHT-ST-200E	7.44 (189)	8.5 (215)	4.7 (120)	2.1 (53)
MHT-ST-250E	9.0 (229)	10.0 (255)	4.7 (120)	2.1 (53)
MHT-ST-400E	10.8 (274)	11.9 (302)	5.3 (135)	2.5 (64)
MHT-ST-500E	10.8 (274)	11.9 (302)	5.3 (135)	2.5 (64)



- MHT Products are UL Recognized and Assembled in ISO9000/1 Certified US Facility
- Every Product is Quality Tested and Inspected Prior to Shipment
- MHT Lighting Offers a 5-year or 30,000 Hours Warranty (Please See Warranty Terms and Conditions)
- Proudly Manufactured in the USA

MHT Plant Operations
 1961 Richmond Terrace
 Staten Island, New York 10302
 Tel: (718) 524-4370
 Fax: (718) 524-4390

West Coast Operations
 2285 Michael Faraday Dr. Suite 10
 San Diego, California 92154
 Tel: (619) 661-0600

www.mhtlighting.com
888-511-7780