

POLYCARBONATE HIGH/LOW BAY MHT-HB & MHT-LB SERIES

Project _____

Part Number _____

Quantity _____

APPLICATIONS

- Warehouses
- Manufacturing
- Agriculture, Food Services
- Gymnasiums
- Convention Centers



Featured Project: Major Fitness Facilities



"Gum drop" Style
(150W-250W)

FEATURES

- 10-year or 60,000 Hours Warranty
- >100,000 Hours Rated Lifespan (per IESNA)
- Die Cast Aluminum Gear Box (White)
- Hook for easy installation or 3/4" Pendant Installation
- UV Stabilized Prismatic Polycarbonate Refractor/Lens
- Available in "Gum Drop" Polycarbonate Lens
- Available in High Temperature Rated For Ambient Temperature up to 150 °F
- Ambient Temperature -20 to 120 °F (Consistent Extremes Do Not Apply)



LAMP/BALLAST

- 120-277V Universal Input Voltage
- Optional 347V or 480V
- Available 0-10V Dimming - Minimum 40%
- Power Factor > 0.95, THD < 10%
- Instant-On, Flicker Free, Minimum Light Loss
- Surge Protection
- CRI > 85 - Excellent Color Rendition
- Color Temperature 3000K/4000K/5000K

Model	Rated Wattage	Input Wattage	Replaces	Lamp Lm/W	Lamp Lumen	Size	Lens
MHT-LB-80E	80W	84W	MH - 150W HPS - 150W	82-85	6,750	16"	Prismatic Polycarbonate
MHT-LB-100E	100W	105W	MH - 175W HPS - 200W	82-85	8,400	16"	
MHT-HB-120E	120W	126W	MH - 200W HPS - 250W	82-85	10,080	22"	
MHT-HB-150E	150W	158W	MH - 250W HPS - 310W	82-85	12,750	22"	
MHT-HB-200E	200W	210W	MH - 350W HPS - 400W	82-85	17,000	22"	
MHT-HB-250E	250W	263W	MH - 400W HPS - 400W	88-90	22,250	22"	



Manufactured in the USA

Toll Free **888-511-7780** • www.mhtlighting.com



POLYCARBONATE HIGH/LOW BAY

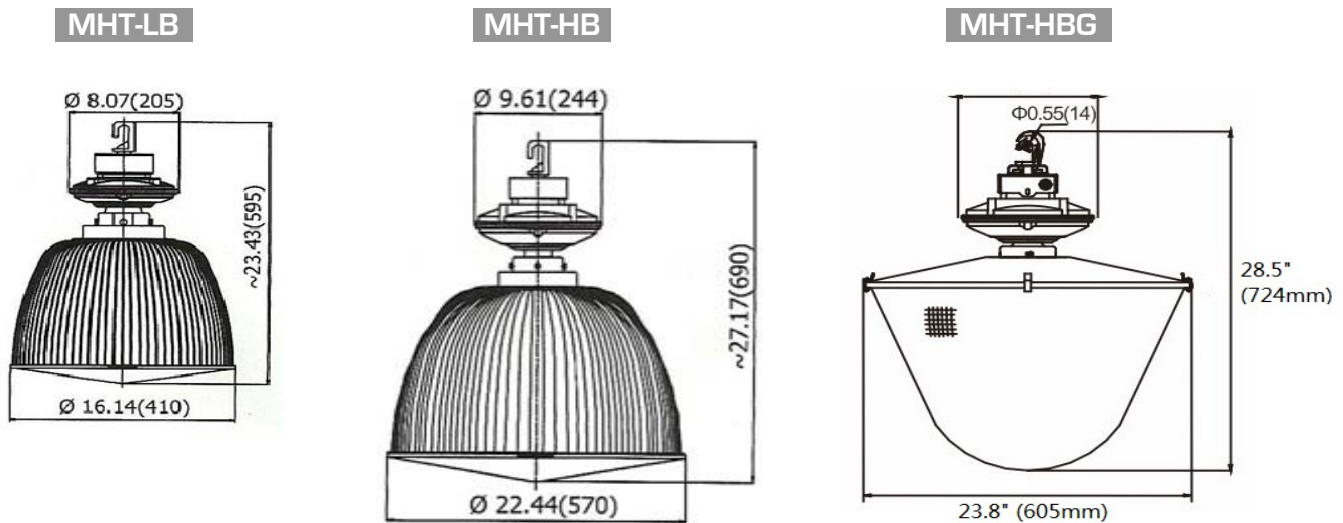
MHT-HB & MHT-LB SERIES

Project _____
 Part Number _____
 Quantity _____

ORDERING CODES

MHT-_____	_____E	_____	_____	_____
HB=High Bay	Wattage:	Color Temperature:	Input Voltage:	Option:
LB=Low Bay	80, 100,	3K=3000K	U=120-277V	(Standard in White Top)
HBG=High Bay	120, 150,	4K=4000K	347=208-347V	CP=Cord & Plug (Specify Cord & Plug)
Gum drop	200, 250	5K=5000K	480=480V	WG=Wire Guard
				AC=Aircraft Cable
				DB=0-10V Dimming Ballast (Minimum 40%)
				OS-Dim=Dimming Base On Motion
				OS-ON/OFF=ON/OFF Base On Motion
				HT=High Temperature Rated
				SPD=Surge Protective Device

DIMENSIONS



- MHT Products are UL Listed and Assembled in ISO9000/1 Certified US Facility
- Every Product is Quality Tested and Inspected Prior to Shipment
- MHT Lighting Offers a 10-year or 60,000 Hours Warranty (See Warranty Terms and Conditions)
- Proudly Manufactured in the USA
- For Product IES Files Please Contact Your Local Rep

MHT Plant Operations
 1961 Richmond Terrace
 Staten Island, New York 10302
 Tel: (718) 524-4370
 Fax: (718) 524-4390

West Coast Operations
 2285 Michael Faraday Dr. Suite 10
 San Diego, California 92154
 Tel: (619) 661-0600

www.mhtlighting.com
888-511-7780

MHT Confidential
 Rev Date: December 2017