

# INDUCTION EXPLOSION PROOF MHT-EP SERIES

Project \_\_\_\_\_

Part Number \_\_\_\_\_

Quantity \_\_\_\_\_



## APPLICATIONS

- Building Exterior
- Perimeter/Safety Lighting
- Steel Works
- Factories
- Power Generator Station
- Bridges and Tunnels

## FEATURES

- >100,000 Hours Rated Lifespan (IESNA)
- 10-year or 60,000 Hours Warranty
- Die Cast Aluminum Housing (Grey)
- Prismatic Tempered Glass Lens
- 1/2" Pendant Mounting, optional 3/4"
- Fixture Protection Class IP65
- Heavy Duty Wire Guard
- Ambient Temperature -20 to 120 °F



## LAMP/BALLAST

- 120-277V Universal Input Voltage
- Operating Frequency 50Hz/60Hz
- Available 0-10V Dimming - Minimum 40%
- Power Factor > 0.95, THD < 10%
- Instant-On, Flicker Free, Minimum Light Loss
- Color Temperature 3000K/4000K/5000K
- CRI > 85 - Excellent Color Rendition
- Surge Protection

Model	Rated Wattage	Input Wattage	Replaces	Lamp Lm/W	Lamp Lumen	Size	Lens
MHT-EP-70E	70W	74W	MH - 100W HPS - 150W	80-82	5,600	Diameter 14.3" Height 16.9"	Glass
MHT-EP-80E	80W	84W	MH - 150W HPS - 150W	82-85	6,720		



Manufactured in the USA

Toll Free **888-511-7780** • [www.mhtlighting.com](http://www.mhtlighting.com)



# INDUCTION EXPLOSION PROOF MHT-EP SERIES

Project \_\_\_\_\_

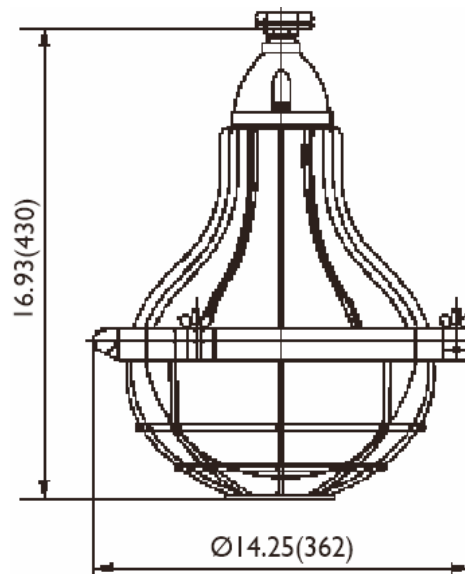
Part Number \_\_\_\_\_

Quantity \_\_\_\_\_

## ORDERING CODES

MHT-EP	E			
<u>Wattage:</u> 70, 80	<u>Color Temp:</u> 3K=3000K 4K=4000K 5K=5000K	<u>Input Voltage:</u> U=120~277V 347=208~347V	<u>Option:</u> (Standard in Grey) DB=0-10V Dimming Ballast (Minimum 40%) SPD=Surge Protective Device	

## DIMENSIONS



- Standard 6" Leads from the Top Side of the Fixture (Specify for Other Length)

- MHT Products are UL Listed and Assembled in ISO9000/1 Certified US Facility
- Every Product is Quality Tested and Inspected Prior to Shipment
- MHT Lighting Offers a 10-year or 60,000 Hours Warranty (See Warranty Terms and Conditions)
- Proudly Manufactured in the USA
- For Product IES Files Please Contact Your Local Rep

### MHT Plant Operations

1961 Richmond Terrace  
Staten Island, New York 10302  
Tel: (718) 524-4370  
Fax: (718) 524-4390

### West Coast Operations

2285 Michael Faraday Dr. Suite 10  
San Diego, California 92154  
Tel: (619) 661-0600

[www.mhtlighting.com](http://www.mhtlighting.com)

**888-511-7780**

MHT Confidential  
Rev Date: November 2017