

INDUCTION ROADWAY

MHT-RW SERIES

Project _____

Part Number _____

Quantity _____



APPLICATIONS

- Street Lighting
- Intersections
- Parking Lots
- Public Areas



FEATURES

- >100,000 Hours Rated Lifespan (IESNA)
- 10-year or 60,000 Hours Warranty
- Die Cast Aluminum Housing (Blue and White)
- Clear Drop Polycarbonate Lens
- Type II Distribution
- Fits Ø2.76" Round Pole
- Ambient Temperature -20 to 120 °F



LAMP/BALLAST

- 120 - 277V Universal Input Voltage
- Optional 347V or 480V
- 0-10V Dimming Ballast - Minimum 40%
- Power Factor > 0.95, THD < 10%
- 300W to 500W Square Tubular Lamp Design
- Color Temperature 3000K/4000K/5000K
- CRI > 85 - Excellent Color Rendition
- Instant-On, Flicker Free, Minimum Light Loss

Model	Rated Wattage	Input Wattage	Replaces	Lamp Lumen	Lamp Lm/W	EPA at 0° (ft²)	Size	Lens
MHT-RW-300E	300W	315W	MH - 450W HPS - 600W	26,100	88-90	5.85	55.1"x18.6"	Clear Drop PC
MHT-RW-400E	400W	420W	MH - 750W HPS - 750W	34,800				
MHT-RW-500E	500W	525W	MH - 750W HPS - 1000W	44,500				



Manufactured in the USA

Toll Free **888-511-7780** • www.mhtlighting.com



INDUCTION ROADWAY

MHT-RW SERIES

Project: _____

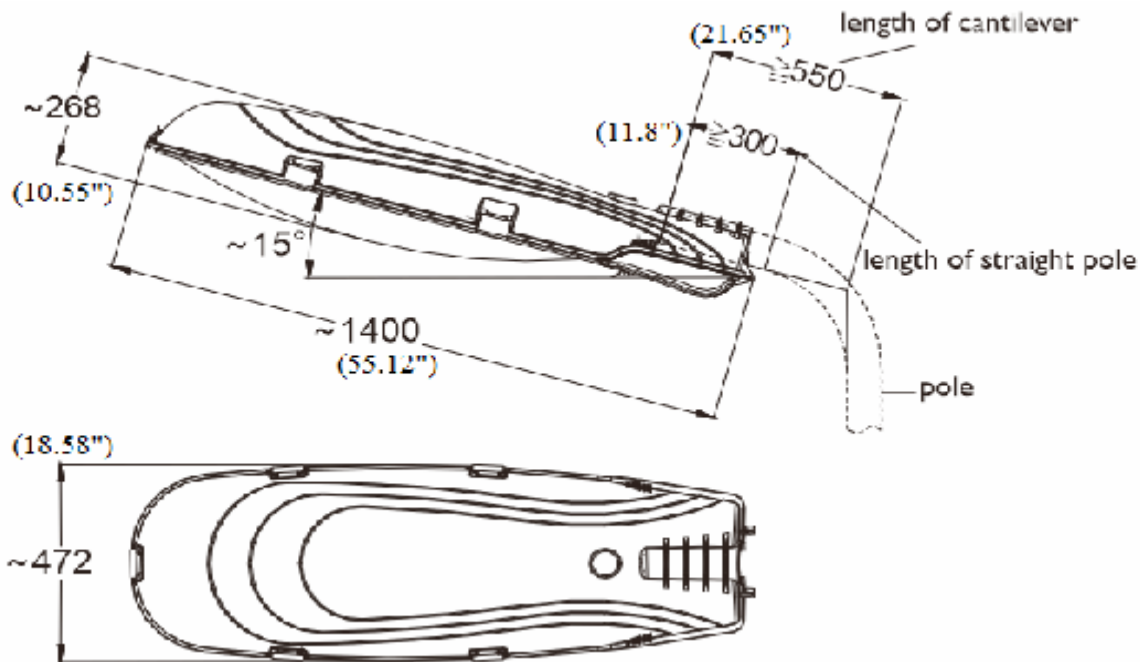
Part Number: _____

Quantity: _____

ORDERING CODES

MHT-RW	-	<input type="text"/>	-	<input type="text"/>	-	<input type="text"/>	-	<input type="text"/>
Wattage:	Color Temperature:	Input Voltage:	Option:					
300,	3K=3000K	U=120~277V	(Standard in Blue Top/White Bottom)					
400,	4K=4000K	347=208~347V	PC3=3-Pin Photocell					
500	5K=5000K	480=480V	PC7=7-Pin Photocell					
			PR3=3-Pin Receptacle Only					
			PR7=7-Pin Receptacle Only					
			DB=0-10V Dimming Ballast (Minimum 40%)					
			SPD=Surge Protective Device					

DIMENSIONS



- Fits Ø2.36" - Ø2.76" Round Pole

- MHT Products are Assembled in ISO9000/1 Certified US Facility
- Every Product is Quality Tested and Inspected Prior to Shipment
- MHT Lighting Offers a 10-year or 60,000 Hours Warranty (See Warranty Terms and Conditions)
- Proudly Manufactured in the USA
- For Product IES Files Please Contact Your Local Rep

MHT Plant Operations

1961 Richmond Terrace
 Staten Island, New York 10302
 Tel: (718) 524-4370
 Fax: (718) 524-4390

West Coast Operations

2285 Michael Faraday Dr. Suite 10
 San Diego, California 92154
 Tel: (619) 661-0600

www.mhtlighting.com

888-511-7780

MHT Confidential
 Rev Date: December 2017