

INDUCTION GARAGE

MHT-RCL SERIES

Project _____
 Part Number _____
 Quantity _____



APPLICATIONS

- Parking Garages
- Gas Stations
- Canopies
- Walkways



FEATURES

- >100,000 Hours Rated Lifespan (IESNA)
- 10-year or 60,000 Hours Warranty
- Die Cast Aluminum Housing (Dark Bronze)
- Prismatic Polycarbonate Lens
- Aluminum Mirror Reflector
- Optional Mounting Plate or Pendant Mount Adapter
- Ambient Temperature -20 to 120 °F



LAMP/BALLAST

- 120 - 277V Universal Input Voltage
- Optional 347V or 480V
- 0-10V Dimming Ballast - Minimum 40%
- Power Factor > 0.95, THD < 10%
- Instant-On, Flicker Free, Minimum Light Loss
- Color Temperature 3000K/4000K/5000K
- CRI > 85 - Excellent Color Rendition
- Surge Protection

Model	Rated Wattage	Input Wattage	Replaces	Lamp Lm/W	Lamp Lumen	Size
MHT-RCL-40E	40W	42W	MH - 70W HPS - 100W	80-82	3,240	Ø15"
MHT-RCL-55E	55W	58W	MH - 100W HPS - 100W	80-82	4,400	
MHT-RCL-70E	70W	74W	MH - 100W HPS - 150W	80-82	5,600	
MHT-RCL-80E	80W	84W	MH - 150W HPS - 150W	82-85	6,720	
MHT-RCL-100E	100W	105W	MH - 175W HPS - 200W	82-85	8,400	



Manufactured in the USA

Toll Free **888-511-7780** • www.mhtlighting.com



INDUCTION GARAGE

MHT-RCL SERIES

Project _____

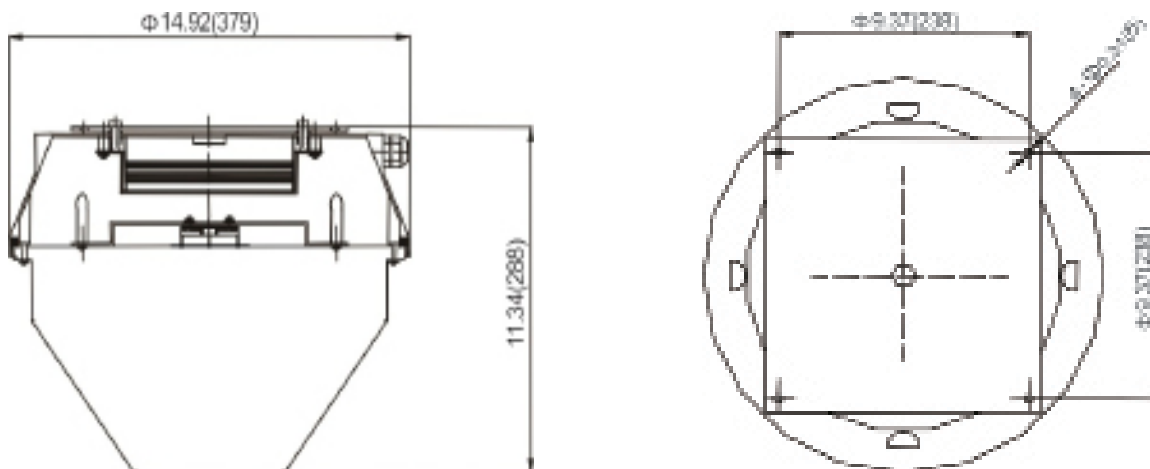
Part Number _____

Quantity _____

ORDERING CODES

MHT-RCL	E				
<u>Wattage:</u>	<u>Color Temp:</u>	<u>Input Voltage:</u>	<u>Mounting:</u>	<u>Option:</u>	
40, 55,	3K=3000K	U=120~277V	MP=Mounting Plate	(Standard in Dark Bronze)	
70, 80,	4K=4000K	347=208~347V	PM=Pendant Mount	DB=0-10V Dimming Ballast (Minimum 40%)	
100	5K=5000K	480=480V	(1/2" or 3/4")	OS=Microwave Motion Sensor	
				SPD=Surge Protective Device	

DIMENSIONS



- Optional Mounting plate bolt patterns: 9 3/8" x 9 3/8"; Hole size: 5/16"

- MHT Products are UL Listed and Assembled in ISO9000/1 Certified US Facility
- Every Product is Quality Tested and Inspected Prior to Shipment
- MHT Lighting Offers a 10-year or 60,000 Hours Warranty (See Warranty Terms and Conditions)
- Proudly Manufactured in the USA
- For Product IES Files Please Contact Your Local Rep

MHT Plant Operations

1961 Richmond Terrace
Staten Island, New York 10302
Tel: (718) 524-4370
Fax: (718) 524-4390

West Coast Operations

2285 Michael Faraday Dr. Suite 10
San Diego, California 92154
Tel: (619) 661-0600

www.mhtlighting.com

888-511-7780

MHT Confidential
Rev Date: December 2017