

INDUCTION GARAGE

MHT-CL SERIES

Project _____

Part Number _____

Quantity _____



APPLICATIONS

- Parking Garages
- Gas Stations
- Canopies
- Walkways

FEATURES

- >100,000 Hours Rated Lifespan (IESNA)
- 10-year or 60,000 Hours Warranty
- Die Cast Aluminum Housing (Dark Bronze)
- Prismatic Polycarbonate Lens
- Aluminum Mirror Reflector
- Ambient Temperature -20 to 120 °F



LAMP/BALLAST

- 120-277V Universal Input Voltage
- Optional 347V or 480V
- Operating Frequency 50Hz/60Hz
- Available 0-10V Dimming - Minimum 40%
- Instant-On, Flicker Free, Minimum Light Loss
- Color Temperature 3000K/4000K/5000K
- CRI > 85 - Excellent Color Rendition
- Power Factor > 0.95, THD < 10%

Model	Rated Wattage	Input Wattage	Replaces	Lamp Lm/W	Lamp Lumen	Dimensions	Lens
MHT-CL-40E	40W	42W	MH - 70W HPS - 100W	80-82	3,200	12" x 12" x 11.6"	PC
MHT-CL-55E	55W	58W	MH - 100W HPS - 100W	80-82	4,400		
MHT-CL-70E	70W	74W	MH - 100W HPS - 150W	80-82	5,600		
MHT-CL-80E	80W	84W	MH - 150W HPS - 150W	82-85	6,720		
MHT-CL-100E	100W	105W	MH - 175W HPS - 200W	82-85	8,400		



Manufactured in the USA

Toll Free **888-511-7780** • www.mhtlighting.com



INDUCTION GARAGE

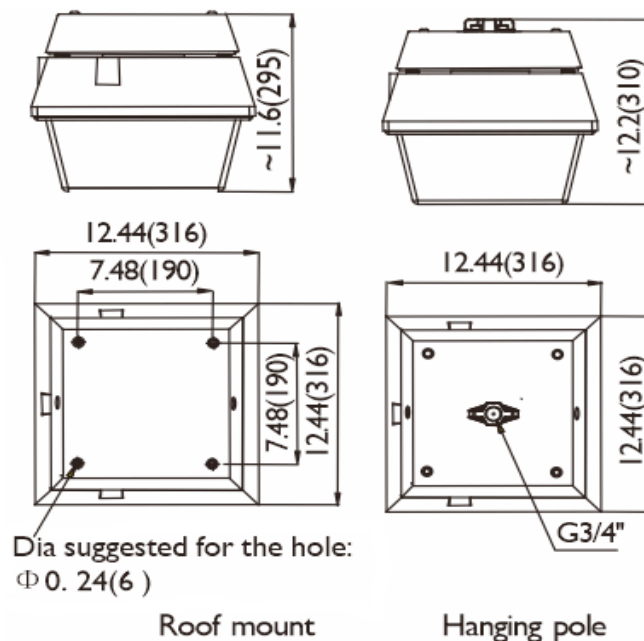
MHT-CL SERIES

Project _____
 Part Number _____
 Quantity _____

ORDERING CODES

MHT-CL	E				
<u>Wattage:</u>	<u>Color Temp:</u>	<u>Input Voltage:</u>	<u>Mounting:</u>	<u>Option:</u>	
40, 55,	3K=3000K	U=120~277V	PM=Pendant Mount	(Standard in Dark Bronze)	
70, 80,	4K=4000K	347=208~347V	(1/2" or 3/4")	PC=Button Type Photocell	
100	5K=5000K	480=480V		DB=0-10V Dimming Ballast (Minimum 40%)	
				OS=Microwave Occupancy Sensor	
				SPD=Surge Protective Device	

DIMENSIONS



- Optional 3/4" or 1/2" Pendant Mount Adapter
- Power Cord is not Included
- Surface Mounting Bolt Patterns 7 1/2" x 7 1/2", Hole Size 1/4"
- Standard 1/2" Knock-outs on each side

- MHT Products are UL Listed and Assembled in ISO9000/1 Certified US Facility
- Every Product is Quality Tested and Inspected Prior to Shipment
- MHT Lighting Offers a 10-year or 60,000 Hours Warranty (See Warranty Terms and Conditions)
- Proudly Manufactured in the USA
- For Product IES Files Please Contact Your Local Rep

MHT Plant Operations
 1961 Richmond Terrace
 Staten Island, New York 10302
 Tel: (718) 524-4370
 Fax: (718) 524-4390

West Coast Operations
 2285 Michael Faraday Dr. Suite 10
 San Diego, California 92154
 Tel: (619) 661-0600

www.mhtlighting.com
888-511-7780

MHT Confidential
 Rev Date: December 2017