

# LED POST TOP LIGHTING

## MHTL-POL-XC SERIES

Project \_\_\_\_\_

Part Number \_\_\_\_\_

Quantity \_\_\_\_\_



### APPLICATIONS

- City Street
- Parks
- Public Areas



### FEATURES

- >100,000 Hours Rated Lifespan
- 10-year Warranty
- L70 > 100,000 Hours
- Die Cast Aluminum Housing (Grey)
- Electronic Driver in the Fitter
- Flat Tempered Glass Lens - Full Cut Off
- High Performance Acrylic Optical Lenses - Type III, IV & V
- Fixture Protection Class IP65
- Optional Photocontrol on Top - Easy Replacement
- Meets DLC V4.2 Standards
- Ambient Temperature -30 to 120 °F



### LED/DRIVER

- Universal Input Voltage 120 - 277V
- Power Factor > 0.95 @277V
- THD < 15% @277V; CRI > 75
- Color Temperature 3000K/4000K/5000K
- 0-10V Dimmable Driver
- Surge Protection

Model	Input Power	CCT	Distribution	Lumen	EPA at 0° (ft²)
MHTL-POL-XC-36E-4K-U-T5	36W	4000K	Type V	4,000	1.6
MHTL-POL-XC-72E-4K-U-T5	72W	4000K	Type V	8,000	1.6
MHTL-POL-XC-102E-4K-U-T5	102W	4000K	Type V	11,000	1.6



Manufactured in the USA

Toll Free **888-511-7780** • [www.mhtlighting.com](http://www.mhtlighting.com)



# LED POST TOP LIGHTING

## MHTL-POL-XC SERIES

Project \_\_\_\_\_

Part Number \_\_\_\_\_

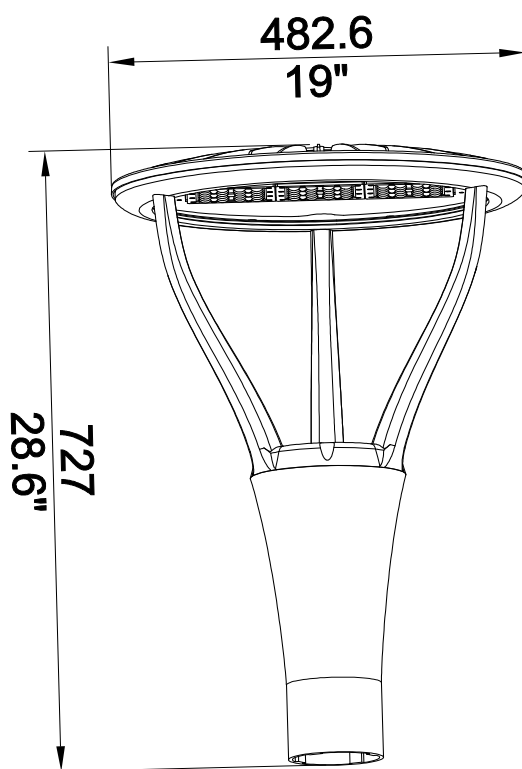
Quantity \_\_\_\_\_

### ORDERING CODES

MHTL-POL-XC  E

<u>Wattage:</u>	<u>Color Temp:</u>	<u>Input Voltage:</u>	<u>Distribution:</u>	<u>Pole Size:</u>	<u>Option:</u>
36, 48	3K=3000K	U=120-277V	T3=Type III	3=O.D. 3"	(Standard in Grey)
62, 72,	4K=4000K	347=347V	T4=Type IV	3.5=O.D. 3.5"	PR3=3-pin Photocell Receptacle
92, 102	5K=5000K	480=480V	T5=Type V		PR7=7-pin Photocell Receptacle
					PC3=3-pin Photocell
					PC7=7-pin Photocell
					SPD=Surge Protective Device

### DIMENSIONS



- MHT Products are ETL Listed and Assembled in ISO9000/1 Certified US Facility
- MHT Lighting Offers a 10-year Warranty (See Warranty Terms and Conditions)
- Every Product is Quality Tested and Inspected Prior to Shipment
- Proudly Manufactured in the USA.
- For Product IES Files Please Contact Your Local Reps

#### MHT Plant Operations

1961 Richmond Terrace  
Staten Island, New York 10302  
Tel: (718) 524-4370  
Fax: (718) 524-4390

#### West Coast Operations

2285 Michael Faraday Dr. Suite 10  
San Diego, California 92154  
Tel: (619) 661-0600

[www.mhtlighting.com](http://www.mhtlighting.com)

**888-511-7780**

MHT Confidential  
Rev Date: December 2017