

LED ROUND WALLPACK

MHTL-WS-XC SERIES

Project _____
 Part Number _____
 Quantity _____



APPLICATIONS

- Building Exterior
- Garage
- Security Lighting
- Walkway

FEATURES

- >100,000 Hours Rated Lifespan
- 10-year Warranty
- L80 > 80,000 Hours
- Die Cast Aluminum Housing (Dark Bronze)
- Borosilicate Glass Lens or Frosted PC Lens
- Ceiling or Wall Surface Mounted
- Open Bezel or Closed Eyelid Design
- Available Integrated Button Type Photocell
- Available Integrated Emergency Battery Backup
- Available Integrated Microwave Occupancy Sensor



Optional Closed Eyelid

LED/DRIVER

- Universal Input Voltage 120 - 277V
- Optional Input Voltage 347V/480V
- 0-10V Dimmable Driver
- CRI > 75
- Power Factor > 0.93 @277V
- THD < 15% @277V
- CCT 3000K/3500K/4000K/5000K
- Surge Protection

Model	Input Power	CCT	Lm/W	Lumen	Lens	Dimensions
MHTL-WS-XC-36E-4K-U	36W	4000K	>95	>3,400	PC	Ø15" x 6.65"
MHTL-WS-XC-48E-4K-U	48W	4000K	>95	>4,500	PC	Ø15" x 6.65"



Manufactured in the USA

Toll Free **888-511-7780** • www.mhtlighting.com



LED ROUND WALLPACK

MHTL-WS-XC SERIES

Project _____

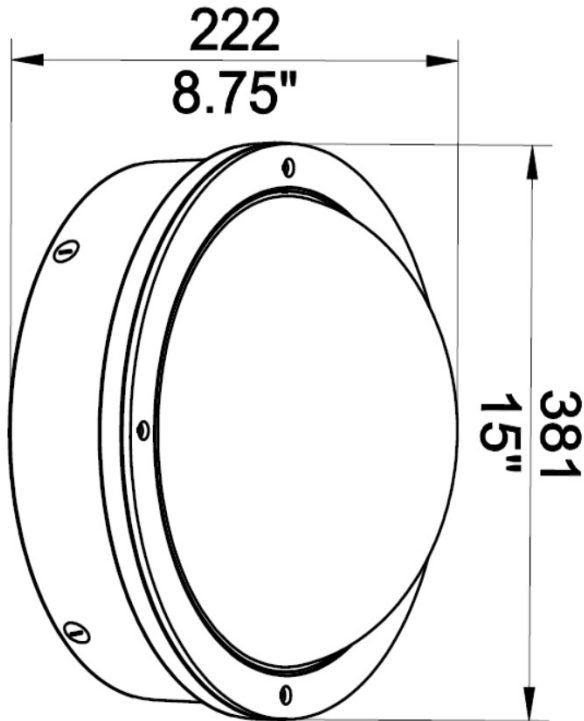
Part Number _____

Quantity _____

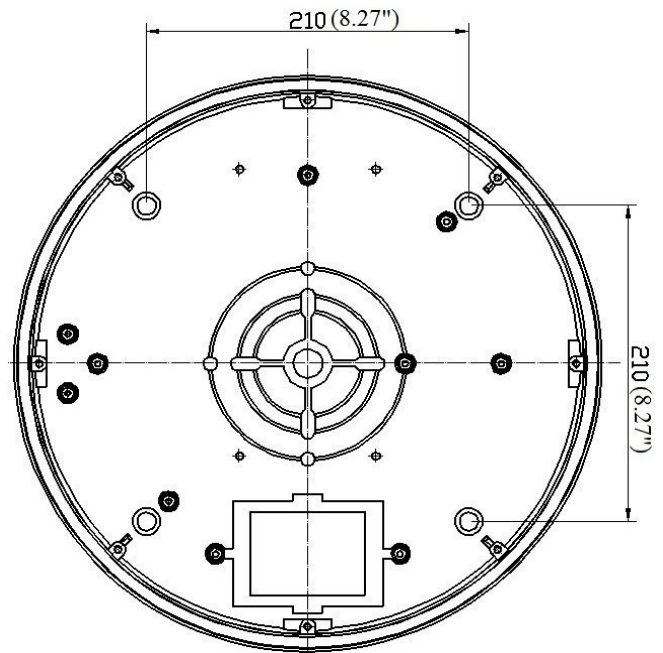
ORDERING CODES

MHTL-WS-XC	<input type="text"/>	<input type="text"/>	<input type="text"/>	<input type="text"/>	<input type="text"/>	<input type="text"/>	<input type="text"/>
	<u>Wattage:</u>	<u>Color Temp:</u>	<u>Input Voltage:</u>	<u>Distribution:</u>	<u>Lens:</u>	<u>Mounting:</u>	<u>Option:</u>
	36=36W	3K=3000K	U=120~277V	CE=Closed Eyelid	GL=Glass	CM=Ceiling	(Custom Color Available. Standard in Dark Bronze)
	48=48W	4K=4000K	347=347V	OB=Open Bezel	PL=PC	WM=Wall	PC=Button Type Photocell
		5K=5000K	480=480V				EB=Emergency Backup
							SPD=Surge Protective Device
							OS=Occupancy Sensor

DIMENSIONS



Open Bezel with Borosilicate Glass Lens



Mounting Bolt Patterns: 8 1/4" X 8 1/4"
Hole Size: 5/16"

- MHT Products are ETL Listed and Assembled in ISO9000/1 Certified US Facility
- MHT Lighting Offers a 10-year Warranty (See Warranty Terms and Conditions)
- Every Product is Quality Tested and Inspected Prior to Shipment
- Proudly Manufactured in the USA
- For Product IES Files Please Contact Your Local Reps

MHT Plant Operations

1961 Richmond Terrace
Staten Island, New York 10302
Tel: (718) 524-4370
Fax: (718) 524-4390

West Coast Operations

2285 Michael Faraday Dr. Suite 10
San Diego, California 92154
Tel: (619) 661-0600

www.mhtlighting.com

888-511-7780

MHT Confidential
Rev Date: December 2017