

LED SEMI-CUTOFF WALLPACK

MHTL-SWP-XC SERIES

Project _____
 Part Number _____
 Quantity _____



APPLICATIONS

- Building Exterior
- Parking Garage
- Railway Platform
- Security Lighting
- Tunnel
- Walkway

FEATURES

- >100,000 Hours Rated Lifespan
- 10-year Warranty
- L80 > 81,000 Hours
- Die Cast Aluminum Housing (Dark Bronze)
- Borosilicate Glass Lens - Glare Free
- Available Integrated Battery Backup
- Fixture Protection Class IP54
- Ambient Temperature -30 to 120 °F



LED/DRIVER

- Universal Input Voltage 120 - 277V
- Optional Input Voltage 347V/480V
- Power Factor > 0.99 @120V
- THD < 6% @120V
- 0-10V Dimming Driver
- Color Temperature 4000K/5000K
- CRI > 75
- Surge Protection

Model	Input Power	Lumen	CCT	Dimensions
MHTL-SWP-XC-38E-4K-U	38W	>4,000	4000K	11.18" x 11.97" x 8.74"
MHTL-SWP-XC-76E-4K-U	76W	>8,200	4000K	16.53" x 13.23" x 10.51"



Manufactured in the USA

Toll Free **888-511-7780** • www.mhtlighting.com



LED SEMI-CUTOFF WALLPACK

MHTL-SWP-XC SERIES

Project _____

Part Number _____

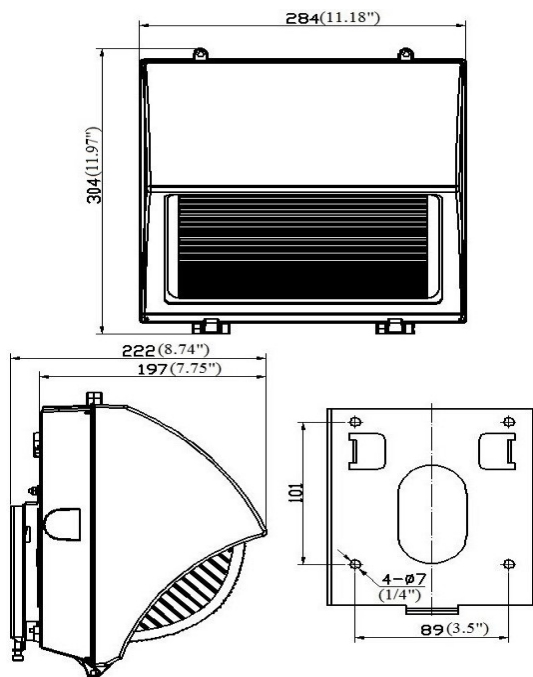
Quantity _____

ORDERING CODES

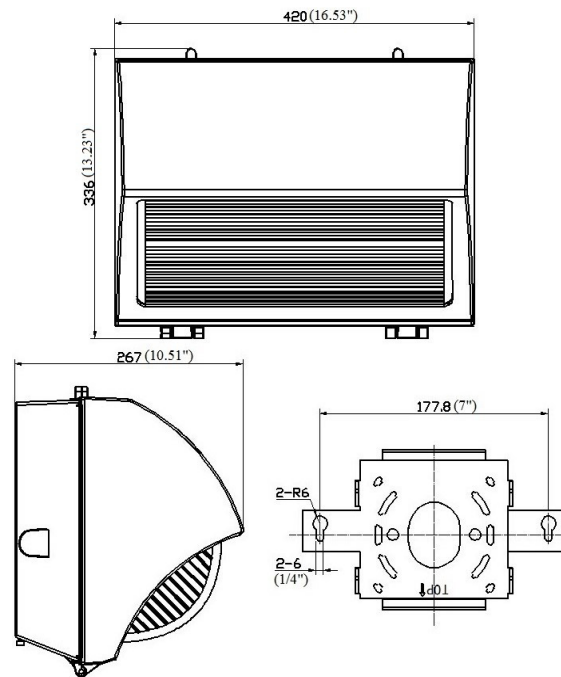
MHTL-SWP-XC	<u> </u> E	<u> </u>	<u> </u>	<u> </u>
	<u>Wattage:</u>	<u>Color Temperature:</u>	<u>Input Voltage:</u>	<u>Option:</u>
	38, 76	4K=4000K 5K=5000K	U=120-277V 347=347V 480=480V	(Standard in Dark Bronze) PR3=3-pin Photocell Receptacle PR7=7-pin Photocell Receptacle PC3=3-pin Photocell PC7=7-pin Photocell EM=Emergency Backup SPD=Surge Protective Device

DIMENSIONS

MHTL-SWP-XC-38E



MHTL-SWP-XC-76E



- 38W Mounting Bracket Bolt Patterns: 3 1/2" X 4"; Hole Size: 1/4"
- 76W Mounting Bracket Bolt Patterns: 7"; Hole Size: 1/4"

- MHT Products are ETL Listed and Assembled in ISO9000/1 Certified US Facility
- MHT Lighting Offers a 10-year Warranty (See Warranty Terms and Conditions)
- Every Product is Quality Tested and Inspected Prior to Shipment
- Proudly Manufactured in the USA
- For Product IES Files Please Contact Your Local Reps

MHT Plant Operations

1961 Richmond Terrace
Staten Island, New York 10302
Tel: (718) 524-4370
Fax: (718) 524-4390

West Coast Operations

2285 Michael Faraday Dr. Suite 10
San Diego, California 92154
Tel: (619) 661-0600

www.mhtlighting.com

888-511-7780

MHT Confidential
Rev Date: December 2017