

LED WALLPACK/FLOOD

MHTL-WF-XC SERIES

Project _____

Part Number _____

Quantity _____



APPLICATIONS

- Building Exterior
- Parking Garage
- Security Lighting
- Walkway



FEATURES

- >100,000 Hours Rated Lifespan
- 10-year Warranty
- L90 > 60,000 Hours
- Die Cast Aluminum Housing (Dark Bronze)
- Flat Clear Tempered Glass Lens
- Fixture Protection Class IP65
- Full Cutoff – Dark Sky Compliant
- Standard Wall/Ceiling Surface Mount
- Optional Extruded Arm, Swivel, Slip Fitter or Knuckle Mount
- Available Integrated Emergency Battery Backup (60W/85W)

LED/DRIVER

- Universal Input Voltage 120 - 277V
- Optional Input Voltage 347V/480V
- CRI > 80
- Power Factor > 0.99 @120V
- THD < 10% @120V
- 0-10V Dimming Driver
- Color Temperature 4000K/5000K
- Surge Protection

Model	Input Power	CCT	Lm/W	Lumen	Dimensions	EPA at 0° (ft²)
MHTL-WF-XC-15E-5K-U	15W	5000K	>102	>1,400	8.3" x 6.9" x 4.6"	0.41
MHTL-WF-XC-30E-5K-U	30W	5000K	>113	>3,300	8.3" x 6.9" x 4.6"	0.41
MHTL-WF-XC-60E-5K-U	60W	5000K	>110	>6,500	11" x 9" x 5.75"	0.69
MHTL-WF-XC-85E-5K-U	85W	5000K	>105	>8,900	11" x 9" x 5.75"	0.69



Manufactured in the USA

Toll Free **888-511-7780** • www.mhtlighting.com



LED WALLPACK/FLOOD

MHTL-WF-XC SERIES

Project _____

Part Number _____

Quantity _____

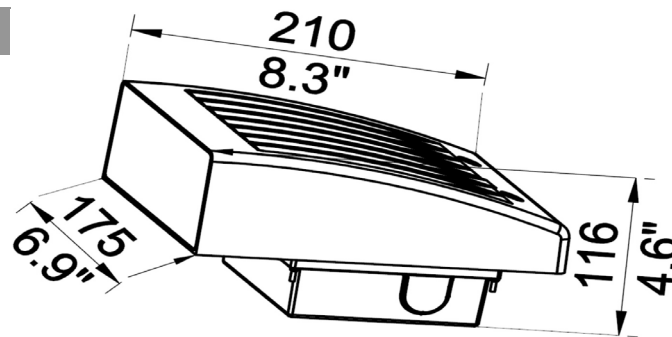
ORDERING CODES

MHTL-WF-XC	E				
<u>Wattage:</u>	<u>Color Temp:</u>	<u>Input Voltage:</u>	<u>Mounting:</u>	<u>Option:</u>	
15, 30, 60, 85	4K=4000K 5K=5000K	U=120-277V 347=347V 480=480V	SW=Swivel Mount KM=Knuckle Mount SF=Slip Fitter EA6/EA10=6"/10" Arm (Standard EA is Used for Square Pole. Specify Size for Round Pole.)	(Standard in Dark Bronze) PC=Button Type Photocell (60/85W) VISOR=Glare Shield (Blocks Uplight) EM=Emergency Backup (60/85W) SPD=Surge Protective Device	

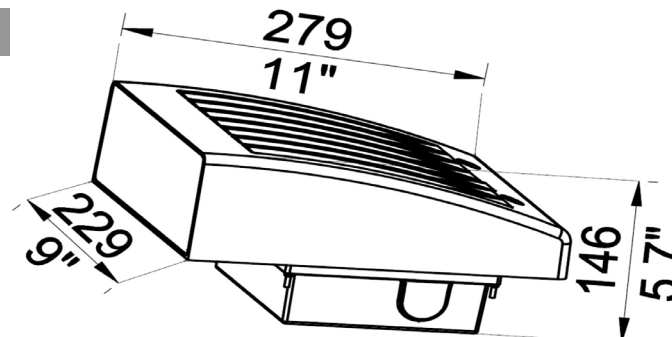
MHTL-WF-15E-5K-U, MHTL-WF-30E-4K-U
MHTL-WF-60E-4K-U, MHTL-WF-85E-4K-U
are DLC Listed Product

DIMENSIONS

15W & 30W



60W & 85W



- 15W and 30W Mounting Bolt Patterns: 3 1/4" X 3 1/4"; Hole Size: 1/4"
- 60W and 85W Mounting Bolt Patterns: 4 13/16" X 4 13/16"; Hole Size: 1/4"

- MHT Products are ETL Listed and Assembled in ISO9000/1 Certified US Facility
- MHT Lighting Offers a 10-year Warranty (See Warranty Terms and Conditions)
- Every Product is Quality Tested and Inspected Prior to Shipment
- Proudly Manufactured in the USA
- For Product IES Files Please Contact Your Local Reps

MHT Plant Operations
1961 Richmond Terrace
Staten Island, New York 10302
Tel: (718) 524-4370
Fax: (718) 524-4390

West Coast Operations
2285 Michael Faraday Dr. Suite 10
San Diego, California 92154
Tel: (619) 661-0600

www.mhtlighting.com