

# LED FLOOD LIGHT

## MHTL-FLD1-XC SERIES

Project \_\_\_\_\_

Part Number \_\_\_\_\_

Quantity \_\_\_\_\_



### APPLICATIONS

- Building Exterior
- Loading Dock
- Security Lighting
- Walk Way



### FEATURES

- >100,000 Hours Rated Lifespan
- 10-year Warranty; L70 >100,000 Hours
- Die Cast Aluminum Housing (Dark Bronze)
- Anodized Aluminum Reflector
- Flat Clear Tempered Glass Lens
- Light Distribution - NEMA Flood 6 X 6
- Fixture Protection Class IP65
- Available in Slip Fitter, Swivel, Knuckle Mounts
- Ambient Temperature -30 to 120 °F
- Meets DLC V4.2 Standards



### LED/DRIVER

- Universal Input Voltage 120 - 277V
- Optional Input Voltage 347V/480V
- Power Factor > 0.99 @120V
- THD < 10% @120V
- Color Temperature 3000K - 5000K
- 0-10V Dimmable Driver
- CRI > 80
- Surge Protection

Model	Input Power	Lumen	Dimensions	EPA at 0° (ft²)
MHTL-FLD1-XC-30E-4K-U	30W	3,800	8.6" x 7.2" x 7.1"	0.6
MHTL-FLD1-XC-45E-4K-U	45W	5,700	8.6" x 7.2" x 7.1"	0.6
MHTL-FLD1-XC-60E-4K-U	60W	7,500	8.6" x 7.2" x 7.1"	0.6
MHTL-FLD1-XC-90E-4K-U	90W	11,500	11.6" x 7.6" x 7.4"	0.8
MHTL-FLD1-XC-120E-4K-U	120W	15,000	11.6" x 7.6" x 7.4"	0.8



Manufactured in the USA

Toll Free **888-511-7780** • [www.mhtlighting.com](http://www.mhtlighting.com)



# LED FLOOD LIGHT

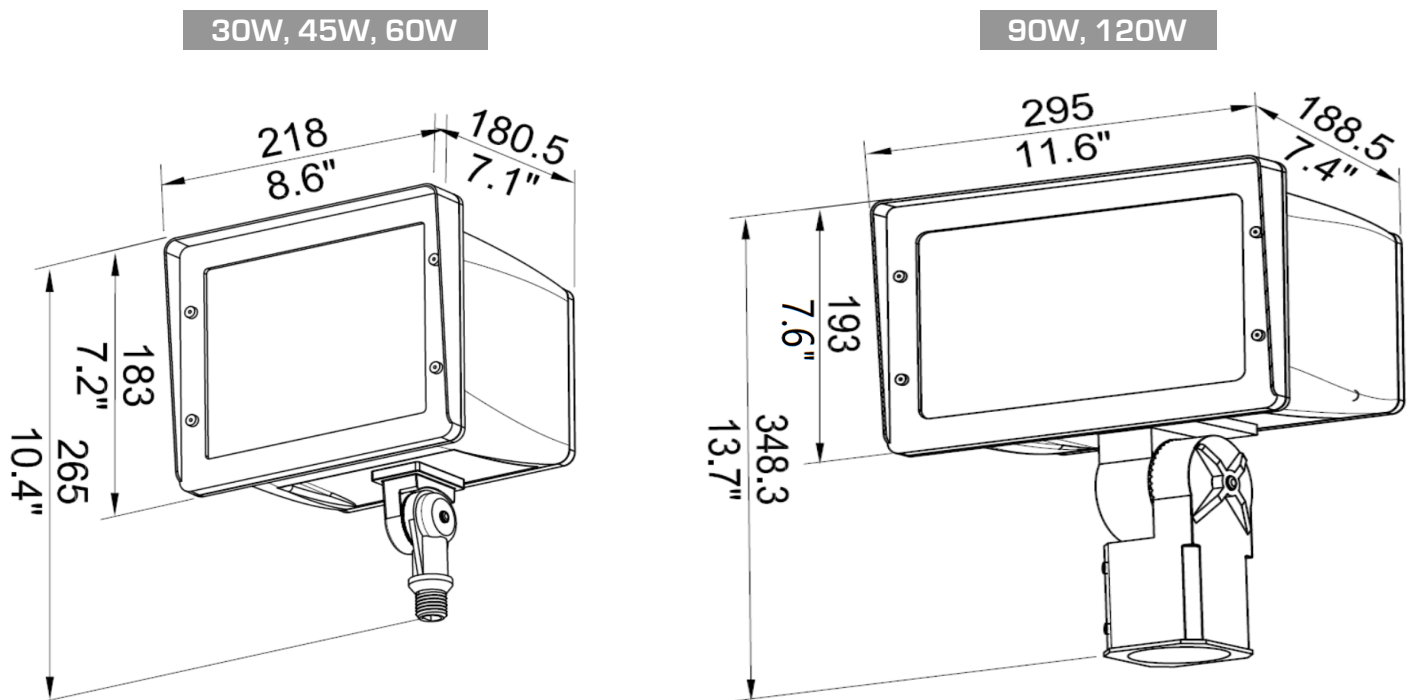
## MHTL-FLD1-XC SERIES

Project \_\_\_\_\_  
 Part Number \_\_\_\_\_  
 Quantity \_\_\_\_\_

### ORDERING CODES

MHTL-FLD1-XC	E				
<u>Wattage:</u>	<u>Color Temp:</u>	<u>Input Voltage:</u>	<u>Mounting:</u>	<u>Option:</u>	
30, 45,	3K=3000K	U=120-277V	SF=Slip Fitter	(Standard in Dark Bronze)	
60, 90,	4K=4000K	347=347V	SW=Swivel Mount	SPD=Surge Protective Device	
120	5K=5000K	480=480V	KM=Knuckle Mount		

### DIMENSIONS



1 ft. Leads/Cord is Included

- MHT Products are ETL Listed and Assembled in ISO9000/1 Certified US Facility
- MHT Lighting Offers a 10-year Warranty (See Warranty Terms and Conditions)
- Every Product is Quality Tested and Inspected Prior to Shipment
- Proudly Manufactured in the USA
- For Product IES Files Please Contact Your Local Reps

**MHT Plant Operations**  
 1961 Richmond Terrace  
 Staten Island, New York 10302  
 Tel: (718) 524-4370  
 Fax: (718) 524-4390

**West Coast Operations**  
 2285 Michael Faraday Dr. Suite 10  
 San Diego, California 92154  
 Tel: (619) 661-0600

[www.mhtlighting.com](http://www.mhtlighting.com)  
**888-511-7780**

MHT Confidential  
 Rev Date: December 2017