

LED SHOEBOX/FLOOD

MHTL-SFL-XC SERIES

Project _____

Part Number _____

Quantity _____



APPLICATIONS

- Park
- Parking Lot
- Pool
- Tennis Court
- Loading Dock

FEATURES

- >100,000 Hours Rated Lifespan
- 10-year Warranty
- L90 > 75,000 Hours (45W)
- L70 > 120,000 Hours (76W and 100W)
- Die Cast Aluminum Housing (Dark Bronze)
- Flat Clear Tempered Glass Lens
- High Performance Acrylic Optical Lens
- Type III, Type IV or Type V Distribution
- Down Lighting Applications Only
- Fixture Protection Class IP65
- Ambient Temperature -30 to 120 °F



LED/DRIVER

- Universal Input Voltage 120~277V
- Optional Input Voltage 347V/480V
- Power Factor > 0.95 @277V
- THD < 12% @277V
- 6kV Surge Protection - Optional 20kV
- Color Temperature 4000K/5000K
- 0-10V Dimmable Driver
- CRI > 75

Model	Input Power	Lm/W	Lumen	Dimensions	EPA at 0° (ft²)
MHTL-SFL-XC-45E-4K-U	45W	>100	>4,500	12.5" x 12.5" x 5.5"	1.1
MHTL-SFL-XC-76E-4K-U	76W	>96	>7,200	12.5" x 12.5" x 5.5"	1.1
MHTL-SFL-XC-100E-4K-U	100W	>99	>9,600	16.5" x 16.5" x 6.8"	1.7
MHTL-SFL-XC-127E-4K-U	127W	>99	>12,500	16.5" x 16.5" x 6.8"	1.7
MHTL-SFL-XC-237E-4K-U	237W	>95	>22,000	23.8" x 23.8" x 10.2"	3.8



Manufactured in the USA

Toll Free **888-511-7780** • www.mhtlighting.com



LED SHOEBOX/FLOOD

MHTL-SFL-XC SERIES

Project _____

Part Number _____

Quantity _____

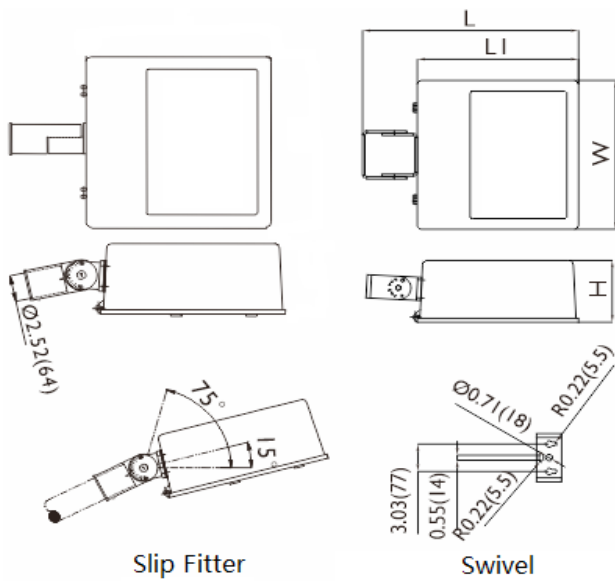
ORDERING CODES

MHTL-SFL-XC E

Wattage: 45, 76, 100, 127, 237	Color Temp: 4K=4000K 5K=5000K	Input Voltage: U=120-277V 347=347V 480=480V	Distribution: T3=Type III T4=Type IV T5=Type V	Mounting: SF=Slip Fitter SW=Swivel Mount EA6=6" Arm EA10=10" Arm YM=Yoke Mount WM=Wall Mount Bracket	Option: PR3=3-pin Photocell Receptacle PR7=7-pin Photocell Receptacle PC3=3-pin Photocell PC7=7-pin Photocell VISOR=Glare Shield (Block Uplights) SPD=20kV/15kA Surge Protective Device OS-On/Off=On/Off Only Motion Sensor OS-Dim=Dimming & On/Off Motion Sensor
--	--	---	--	--	--

MHTL-SFL-45E-5K-U, MHTL-SFL-76E-4K-U
and MHTL-SFL-100E-4K-U are DLC Listed Product

DIMENSIONS



MOUNTING OPTIONS



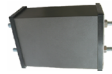
SF - Slip Fitter (O.D. 2-3/8" Round Pole)
(Adjustable. 1ft Power Cord is Included)



WM - Wall/Surface Mount Bracket
(Used with Slip Fitter)



SW - Swivel/Surface Mount Bracket
(Adjustable. 1ft Power Cord is Included)



EA6/10 - 6"/10" Aluminum Extruded Arm
(For Square Pole Use. 1ft Power Cord is Included)



YM - Large Yoke Mount
(Adjustable. 1ft Power Cord is Included)

inch (mm)				
Input Power	Length (L1)	Length with Swivel (L)	Width (W)	Height (H)
45W and 76W	12.51 (318)	16.06 (408)	12.51 (318)	5.50 (140)
100W and 127W	16.46 (418)	20.05 (560)	16.42 (417)	6.81 (173)
237W	23.82 (605)	29.41 (747)	23.82 (605)	10.24 (260)

- MHT Products are ETL Listed and Assembled in ISO9000/1 Certified US Facility
- MHT Lighting Offers a 10-year Warranty (See Warranty Terms and Conditions)
- Every Product is Quality Tested and Inspected Prior to Shipment
- Proudly Manufactured in the USA
- For Product IES Files Please Contact Your Local Reps

MHT Plant Operations
1961 Richmond Terrace
Staten Island, New York 10302
Tel: (718) 524-4370
Fax: (718) 524-4390

West Coast Operations
2285 Michael Faraday Dr. Suite 10
San Diego, California 92154
Tel: (619) 661-0600

www.mhtlighting.com
888-511-7780

MHT Confidential
Rev Date: December 2017