

LED BARN LIGHT

MHTL-BL-XC SERIES

Project _____
 Part Number _____
 Quantity _____



APPLICATIONS

- Backyards
- Perimeter Lighting
- Security Lighting
- Service Roads



FEATURES

- >100,000 Hours Rated Lifespan
- 10-year Warranty
- L70 > 100,000 Hours
- Die Cast Aluminum Housing (Grey)
- Clear Prismatic Polycarbonate Diffuser
- High Performance Reflector
- Includes Elbow Pole (O.D.=1.4") and Brackets
- Includes 3-pin Photocell Receptacle
- Fixture Protection Class IP65
- Ambient Temperature -30 to 120 °F



LED/DRIVER

- Universal Input Voltage 120 - 277V
- Optional Input Voltage 347V/480V
- CRI > 75
- Surge Protection
- Color Temperature 3000K - 5000K
- 0-10V Dimmable Driver
- Power Factor > 0.95 @277V
- THD < 15% @277V

Model	Input Power	CCT	Lm/W	Lumen	EPA at 0° (ft²)
MHTL-BL-XC-30E-4K-U	30W	4000K	>90	>2,700	0.5
MHTL-BL-XC-45E-4K-U	45W	4000K	>90	>4,000	0.5



Manufactured in the USA

Toll Free **888-511-7780** • www.mhtlighting.com



LED BARN LIGHT

MHTL-BL-XC SERIES

Project _____

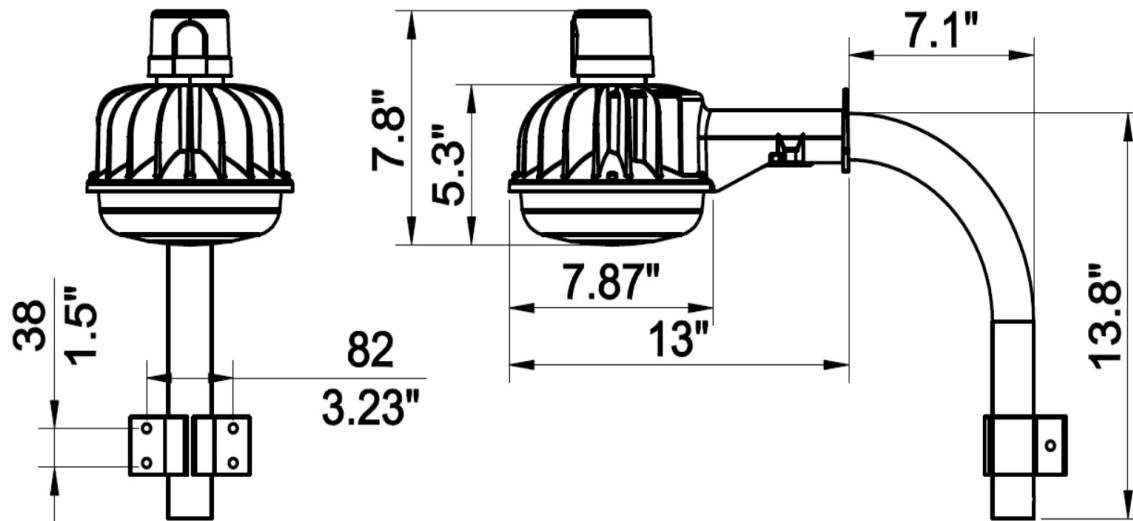
Part Number _____

Quantity _____

ORDERING CODES

MHTL-BL-XC				
	Wattage:	Color Temperature:	Input Voltage:	Option:
	30E=30W	3K=3000K	U=120-277V	(Standard in Grey)
	45E=45W	35K=3500K	347=347V	PR7=7-pin Photocell Receptacle
		4K=4000K	480=480V	PC3=3-pin Photocell
		5K=5000K		PC7=7-pin Photocell
				SC=Shorting Cap

DIMENSIONS



- Fixture comes standard with Elbow Aluminum Pole (O.D.=1.4"), Clamps and Screws
- 3-pin Receptacle comes standard

- MHT Products are ETL Listed and Assembled in ISO9000/1 Certified US Facility
- MHT Lighting Offers a 10-year Warranty (See Warranty Terms and Conditions)
- Every Product is Quality Tested and Inspected Prior to Shipment
- Proudly Manufactured in the USA
- For Product IES Files Please Contact Your Local Reps

MHT Plant Operations

1961 Richmond Terrace
Staten Island, New York 10302
Tel: (718) 524-4370
Fax: (718) 524-4390

West Coast Operations

2285 Michael Faraday Dr. Suite 10
San Diego, California 92154
Tel: (619) 661-0600

www.mhtlighting.com

888-511-7780

MHT Confidential
Rev Date: December 2017