

# LED ROUND GARAGE MHTL-RCL-PRM-XC SERIES

Project \_\_\_\_\_  
Part Number \_\_\_\_\_  
Quantity \_\_\_\_\_



## FEATURES

- >100,000 Hours Rated Lifespan
- 10-year Warranty
- L70 > 100,000 Hours
- ADC12 Die Cast Aluminum Housing (White)
- Low Glare Frosted Polycarbonate Drop Lens
- Low Profiled Design - 4.5" Overall Height
- Highly Efficient LED Driver and Nichia LEDs
- Fixture Protection Class IP65
- Available Integrated Microwave Motion Sensor

## LED/DRIVER

- Universal Input Voltage 120 - 277V
- Optional Input Voltage 347V/480V
- Power Factor > 0.90 @277V
- Color Temperature 4000K/5000K
- THD < 17% @277V
- CRI > 84

Model	Input Power	CCT	Lm/W	Lumen	Dimensions
MHTL-RCL-PRM-XC-40E-4K-U	40W	4000K	127	5,244	Ø11.4" x 4.5"
MHTL-RCL-PRM-XC-40E-5K-U	40W	5000K	132	5,569	Ø11.4" x 4.5"
MHTL-RCL-PRM-XC-60E-4K-U	60W	4000K	127	7,432	Ø11.4" x 4.5"
MHTL-RCL-PRM-XC-60E-5K-U	60W	5000K	133	7,818	Ø11.4" x 4.5"

## APPLICATIONS

- Canopy
- Parking Garage
- Manufacturing/Warehouse
- Walkway



Manufactured in the USA

Toll Free **888-511-7780** • [www.mhtlighting.com](http://www.mhtlighting.com)



# LED ROUND GARAGE MHTL-RCL-PRM-XC SERIES

Project \_\_\_\_\_

Part Number \_\_\_\_\_

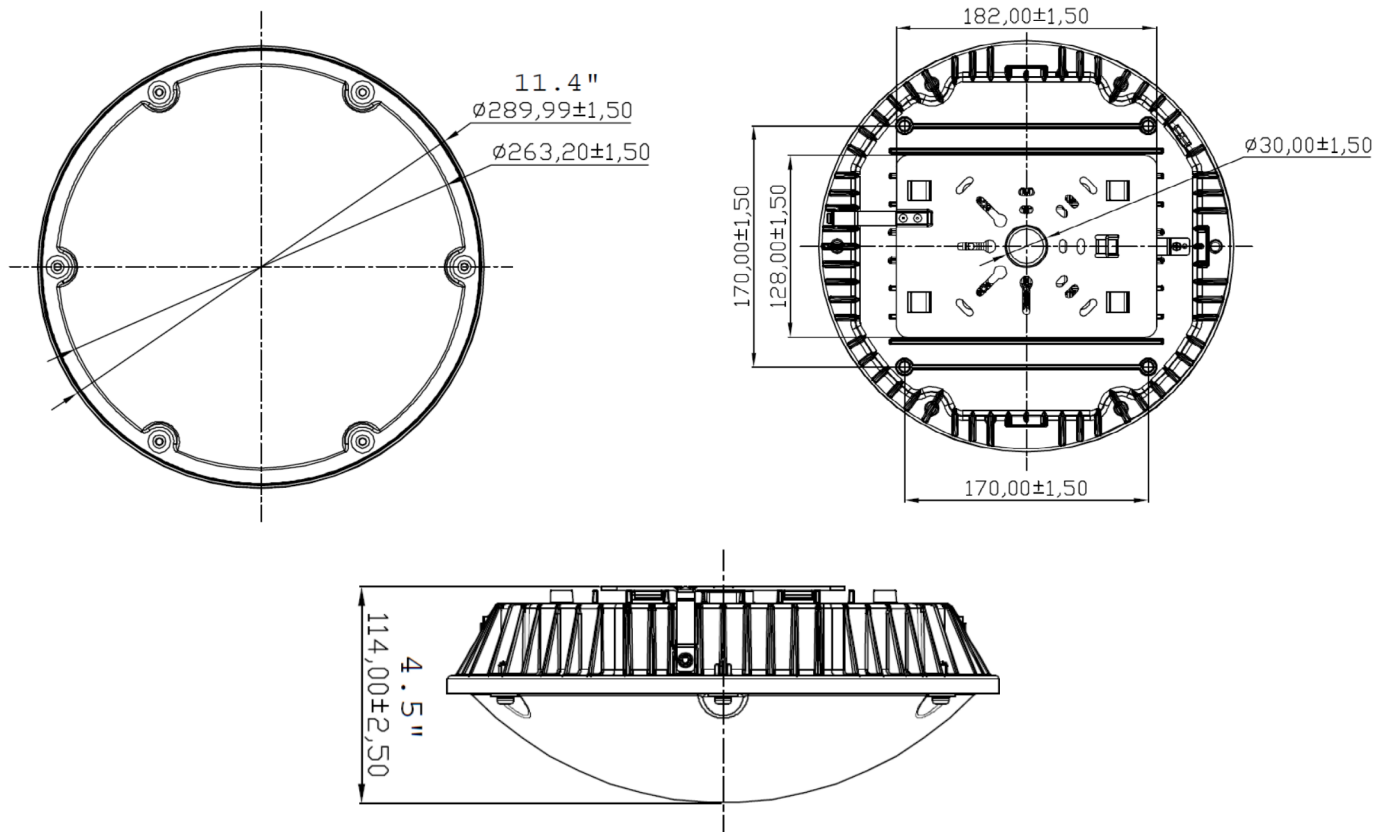
Quantity \_\_\_\_\_

## ORDERING CODES

MHTL-RCL-PRM-XC  E

<u>Wattage:</u> 40, 60	<u>Color Temp:</u> 4K=4000K 5K=5000K	<u>Input Voltage:</u> U=120-277V 347=347V 480=480V	<u>Mounting:</u> SM=Surface Mount PM=3/4" Pendant	<u>Option:</u> (Standard in Matte White) DB=1-10V Dimmable Driver SPD=Surge Protective Device OS-On/Off=On/Off Motion Sensor OS-Dim=Dimming Motion Sensor (See "Smart" Series for Details)
------------------------------	--	---	---	--

## DIMENSIONS



- Standard with Surface Mount Bracket and Ready for 3/4" Pendant

- MHT Products are UL Listed and Assembled in ISO9000/1 Certified US Facility
- MHT Lighting Offers a 10-year Warranty (See Warranty Terms and Conditions)
- Every Product is Quality Tested and Inspected Prior to Shipment
- Proudly Manufactured in the USA
- For Product IES Files Please Contact Your Local Reps

### MHT Plant Operations

1961 Richmond Terrace  
Staten Island, New York 10302  
Tel: (718) 524-4370  
Fax: (718) 524-4390

### West Coast Operations

2285 Michael Faraday Dr. Suite 10  
San Diego, California 92154  
Tel: (619) 661-0600

[www.mhtlighting.com](http://www.mhtlighting.com)

**888-511-7780**

MHT Confidential  
Rev Date: December 2017