

LED ROUND GARAGE MHTL-RGL-XC SERIES

Project _____

Part Number _____

Quantity _____



APPLICATIONS

- Canopy
- Parking Garage
- Manufacturing/Warehouse
- Walkway

FEATURES

- >100,000 Hours Rated Lifespan
- 10-year Warranty
- L90 > 180,000 Hours (38W & 48W)
- L90 > 75,000 Hours (72W)
- Die Cast Aluminum Housing (Matte White)
- High Performance Acrylic Optical Lens
- Surface Mount Bracket - Easy Installation & Maintenance
- Optional Frosted Finished PC Concave Lens - Glare Free
- Fixture Protection Class IP65
- Available Integrated Motion Sensor - See "Smart" Series
- Available Integrated Emergency Backup
- Ambient Temperature -30 to 120 °F



LED/DRIVER

- Universal Input Voltage 120 - 277V
- Optional Input Voltage 347V/480V
- Power Factor > 0.93 @277V
- THD < 12% @277V
- Color Temperature 4000K/5000K
- 0-10V Dimmable Driver
- CRI > 75
- Surge Protection

Model	Input Power	Module	Lm/W	Lumen	Dimensions
MHTL-RGL-XC-38E-4K-U	38W	1	>113	>3,900	Ø15" x 5.4"
MHTL-RGL-XC-48E-4K-U	48W	2	>120	>5,500	
MHTL-RGL-XC-50E-4K-U	50W	1	>102	>4,900	
MHTL-RGL-XC-72E-4K-U	72W	2	>126	>9,000	



Manufactured in the USA

Toll Free **888-511-7780** • www.mhtlighting.com



LED ROUND GARAGE MHTL-RGL-XC SERIES

Project _____

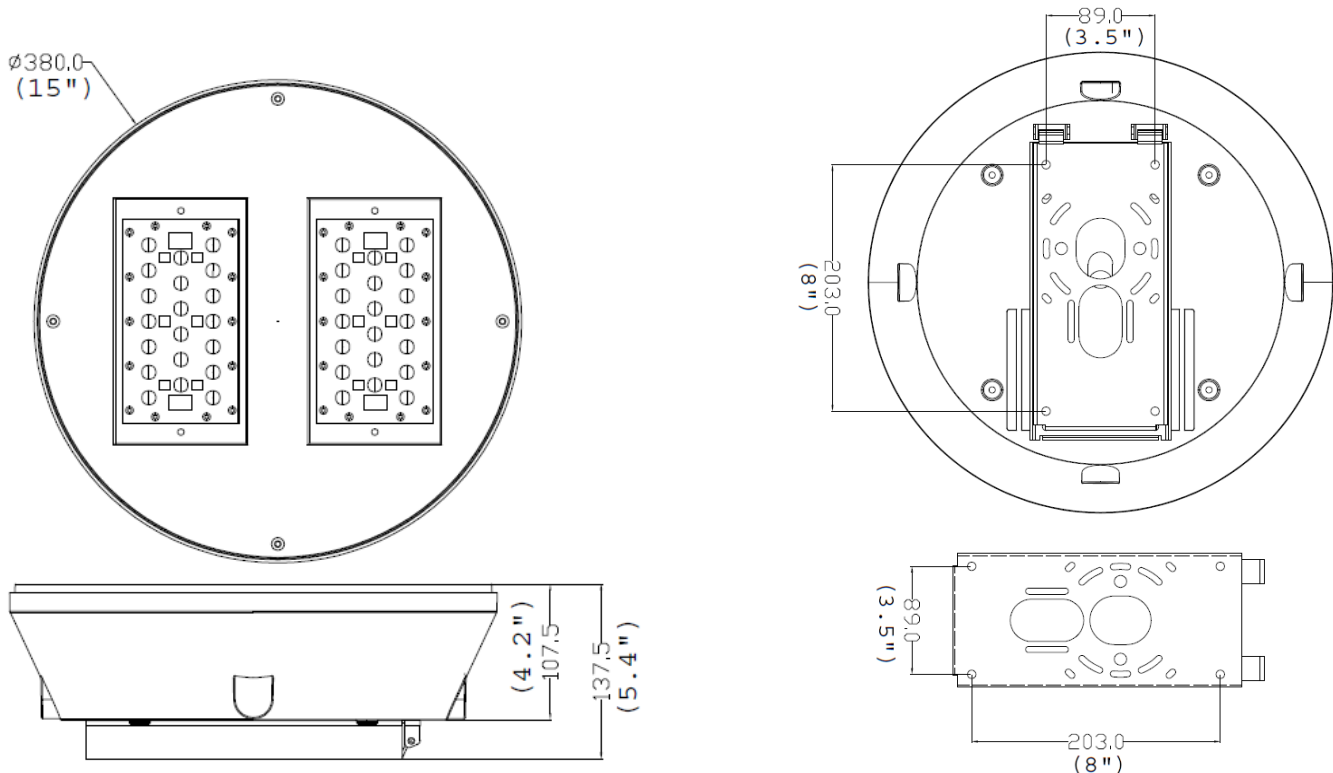
Part Number _____

Quantity _____

ORDERING CODES

MHTL-RGL-XC	<u> </u>	<u> </u>	<u> </u>	<u> </u>	<u> </u>
	E				
Wattage:	Color Temp:	Input Voltage:	Mounting:	Option	
38, 48, 50, 72	4K=4000K 5K=5000K	U=120-277V 347=347V 480=480V	PM=Pendant Mount (Standard 3/4") HM=Hook Mount	(Standard in Matte White) CL=Concave Frosted PC Lens EB=Emergency Battery Backup SPD=Surge Protective Device OS-On/Off=On/Off Only Motion Sensor OS-Dim=Dimming & On/Off Motion Sensor (See "Smart" Series for Details)	

DIMENSIONS



- Standard with Surface Mount Bracket or 3/4" Pendant
- Surface Mount Bracket Bolt Patterns: 8" X 3 1/2"; Hole Size: 1/4"

- MHT Products are ETL Listed and Assembled in ISO9000/1 Certified US Facility
- MHT Lighting Offers a 10-year Warranty (See Warranty Terms and Conditions)
- Every Product is Quality Tested and Inspected Prior to Shipment
- Proudly Manufactured in the USA
- For Product IES Files Please Contact Your Local Reps

MHT Plant Operations

1961 Richmond Terrace
Staten Island, New York 10302
Tel: (718) 524-4370
Fax: (718) 524-4390

West Coast Operations

2285 Michael Faraday Dr. Suite 10
San Diego, California 92154
Tel: (619) 661-0600

www.mhtlighting.com

888-511-7780

MHT Confidential
Rev Date: December 2017