

LED SQUARE GARAGE

MHTL-SGL-XC SERIES

Project _____

Part Number _____

Quantity _____



APPLICATIONS

- Canopy
- Parking Garage
- Manufacturing/Warehouse
- Walkway

FEATURES

- >100,000 Hours Rated Lifespan
- 10-year Warranty
- L90 > 220,000 Hours (48W)
- L90 > 140,000 Hours (38W, 50W, 72W)
- L70 > 100,000 Hours (100W)
- Die Cast Aluminum Housing (Matte White)
- High Performance Acrylic Optical Lens
- Surface Mounting Bracket for Easy Installation
- Available Integrated Occupancy Sensor
- Available Integrated Emergency Battery Backup
- Ambient Temperature -30 to 120 °F



LED/DRIVER

- Universal Input Voltage 120 - 277V
- Optional Input Voltage 347V/480V
- Power Factor > 0.93 @277V
- THD < 16% @277V
- Color Temperature 4000K/5000K
- 0-10V Dimmable Driver
- CRI > 75
- Surge Protection

Model	Input Power	Module	Lm/W	Lumen	Dimensions
MHTL-SGL-XC-38E-4K-U	38W	1	>114	>4,000	12.4" x 12.4" x 5"
MHTL-SGL-XC-48E-4K-U	48W	2	>120	>5,500	12.4" x 12.4" x 5"
MHTL-SGL-XC-50E-4K-U	50W	1	>105	>4,900	12.4" x 12.4" x 5"
MHTL-SGL-XC-72E-4K-U	72W	2	>115	>7,900	12.4" x 12.4" x 5"
MHTL-SGL-XC-100E-4K-U	100W	2	>106	>10,000	12.4" x 12.4" x 6.5"



Manufactured in the USA

Toll Free **888-511-7780** • www.mhtlighting.com



LED SQUARE GARAGE MHTL-SGL-XC SERIES

Project _____

Part Number _____

Quantity _____

ORDERING CODES

MHTL-SGL-XC

E

Wattage:
38, 48,
50, 72,
100

Color Temp:
4K=4000K
5K=5000K

Input Voltage:
U=120-277V
347=347V
480=480V

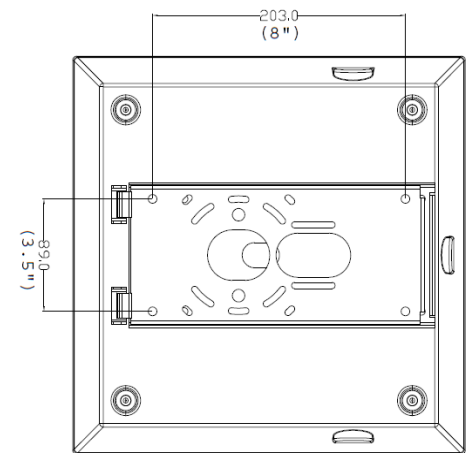
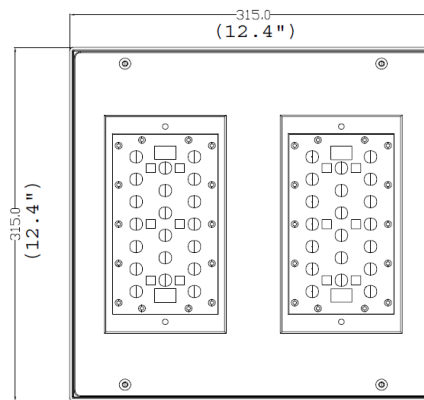
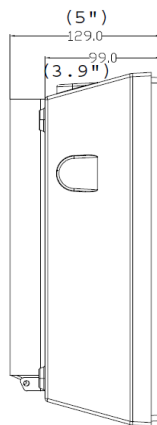
Mounting:
PM=Pendant Mount
(Standard 3/4")
HM=Hook Mount

Option:

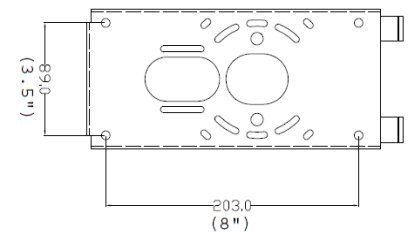
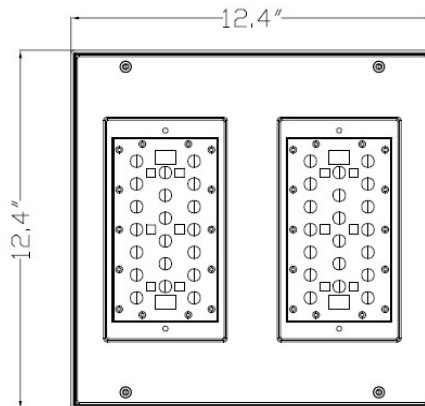
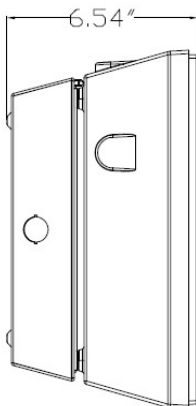
(38-72W Models Standard in Matte White.
100W Model Standard in Dark Bronze)
EM=Emergency Backup
SPD=Surge Protective Device
OS-On/Off=On/Off Only Motion Sensor
OS-Dim=Dimming & On/Off Motion Sensor
(See "Smart" Series for Details)

DIMENSIONS

38/48/50/72W



100W



- 38/48/50/72W Surface Mount Bracket Bolt Patterns:
8" X 3 1/2"; Hole Size: 1/4"; Standard in White.

- 100W Surface Mount Bolt Patterns:
7 1/2" X 7 1/2"; Hole Size: 1/4"; Standard in Bronze.

- Optional 1/2" Pendant Mount (All Models)

- MHT Products are ETL Listed and Assembled in ISO9000/1 Certified US Facility
- MHT Lighting Offers a 10-year Warranty (See Warranty Terms and Conditions)
- Every Product is Quality Tested and Inspected Prior to Shipment
- Proudly Manufactured in the USA
- For Product IES Files Please Contact Your Local Reps

MHT Plant Operations

1961 Richmond Terrace
Staten Island, New York 10302
Tel: (718) 524-4370
Fax: (718) 524-4390

West Coast Operations

2285 Michael Faraday Dr. Suite 10
San Diego, California 92154
Tel: (619) 661-0600

www.mhtlighting.com

888-511-7780

MHT Confidential
Rev Date: December 2017