

# “SMART” WALLPACK/FLOOD

Integrated Controls Solution

## MHTL-WF SMART SERIES

Project \_\_\_\_\_

Part No. \_\_\_\_\_

Quantity \_\_\_\_\_

- Maximize efficiency, save on-site labor costs and controls coordination headaches. MHT’s fully integrated photocontrol, occupancy sensor and dimming ability can save up to 90% in energy costs! Making it the “Smart” Solution.

- Our proven “Smart” LED solutions offer incredible value, proven reliability and are backed by our 10-year warranty.



### APPLICATIONS

- Buildign Exterior
- Parking Garage
- Security Walkway
- Walkway



### FEATURES

- Integrated Photocontrol that Turns OFF Lighting When Sufficient Daylight is Available
- Integrated Motion Sensor that Reduces Light Output When An Area is Unoccupied
- Dimming Range Between 10% and 50% When Motion is Not Detected
- Different Lens Options for up to 20ft Mounting Height and 40ft Diameter Coverage
- Optional Remote Control for On-Site Motion Sensor Adjustment
- Title 24 Compliant
- L85 > 50,000 Hours
- Die Cast Aluminum Housing (Dark Bronze)
- Full Cutoff - Dark Sky Compliant
- Compact Design and Easy Access for Low Installation and Maintenance Cost
- Standard Wall Mount Optional 6”/10” Extruded Arm, Swivel, Slip Fitter, or Knuckle Mount
- Fixture Protection Class IP65

### LED/DRIVER

- Standard Input Voltage 120/277V
- Power Factor > 0.99 @120V
- THD < 10% @120V
- Color Temperature 4000K/5000K
- 6kV Surge Protection - Optional 20kV
- CRI > 80

Model	Input Power	Lm/W	Lumen	Dimensions	EPA at 0° (ft²)
MHTL-WF-60E-4K-U	60W	110	6,500	11" x 9.0" x 5.8"	0.69
MHTL-WF-85E-4K-U	85W	105	8,900	11" x 9.0" x 5.8"	0.69



Manufactured in the USA

Toll Free **888-511-7780** • [www.mhtlighting.com](http://www.mhtlighting.com)



# “SMART” WALLPACK/FLOOD

Integrated Controls Solution

## MHTL-WF SMART SERIES

Project \_\_\_\_\_

Part No. \_\_\_\_\_

Quantity \_\_\_\_\_

### ORDERING CODES

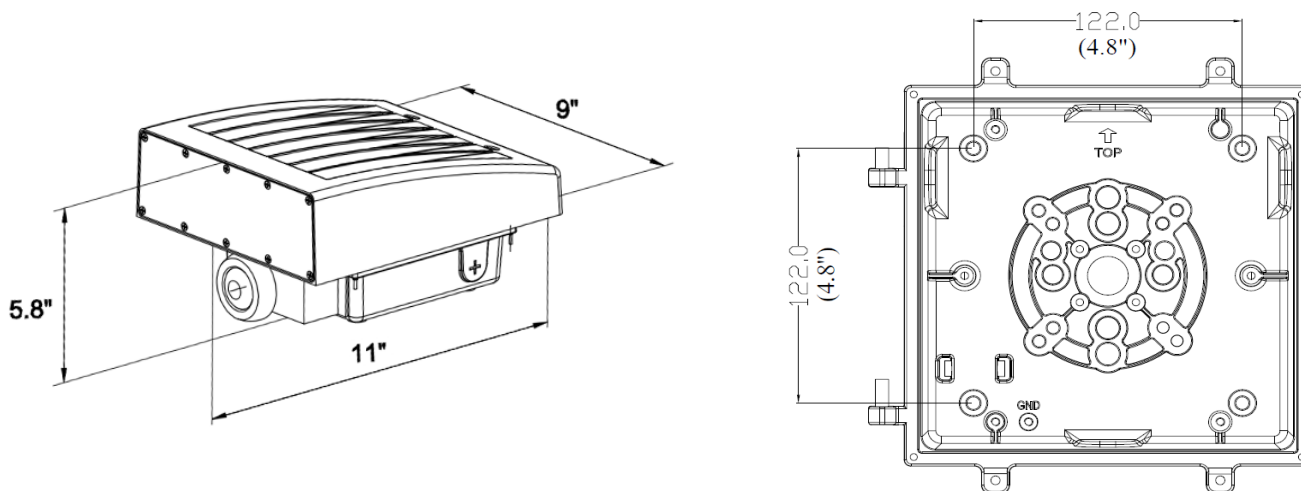
MHTL-WF	<input type="text"/>	<input type="text"/>	<input type="text"/>	<input type="text"/>	<input type="text"/>
<b>Wattage:</b> 60, 85	<b>Color Temp:</b> 4K=4000K 5K=5000K	<b>Input Voltage:</b> U=120V/277V 240=230-240V @50Hz	<b>Mounting:</b> SM=Swivel Mount KM=Knuckle Mount SF=Slip Fitter EA6=6" Arm EA10=10" Arm	<b>Option:</b> (Standard in Dark Bronze) VISOR=Glare Shield SPD=Surge Protective Device	
(Standard EA is used for Square Pole. Specify Size for Round Pole)					
< Sensor Settings >					
<input type="text"/>	<input type="text"/>	<input type="text"/>	<input type="text"/>	<input type="text"/>	<input type="text"/>
<b>Motion Sensor Lens Option:</b> FSP-L2=8' Height, 48' Diameter Coverage FSP-L3=20' Height, 40' Diameter Coverage		<b>Dim to OFF:</b> Disable, 5 to 300 Minutes <b>Default: Disable</b>	<b>Dimming Level:</b> 10 to 50% <b>Default: 50%</b>	<b>Hold Time:</b> 1 to 30 Minutes <b>Default: 3 Minutes</b>	

**Hold Time** - Time period for fixture remains at 100% output after motion is not detected

**Dimming Level** - Fixture Light level after **Hold Time**

**Dim to OFF** - Time period for fixture remains at **Dimming Level** before goes OFF (Disable - Fixture won't go OFF)

### DIMENSIONS



- MHT Products are ETL Listed and Assembled in ISO9000/1 Certified US Facility
- MHT Lighting Offers a 10-year Warranty (See Warranty Terms and Conditions)
- Every Product is Quality Tested and Inspected Prior to Shipment
- Proudly Manufactured in the USA
- For Product IES Files Please Contact Your Local Reps

#### MHT Plant Operations

1961 Richmond Terrace  
Staten Island, New York 10302  
Tel: (718) 524-4370  
Fax: (718) 524-4390

#### West Coast Operations

2285 Michael Faraday Dr. Suite 10  
San Diego, California 92154  
Tel: (619) 661-0600

[www.mhtlighting.com](http://www.mhtlighting.com)

**888-511-7780**

MHT Confidential  
Rev Date: December 2017