

“SMART” LED SQUARE GARAGE

Integrated Controls Solution

MHTL-SGL SMART SERIES

Project _____

Part No. _____

Quantity _____

- Maximize efficiency, save on-site labor costs and controls coordination headaches. MHT’s fully integrated photocontrol, occupancy sensor and dimming ability can save up to 90% in energy costs! Making it the “Smart” Solution.

- Our proven “Smart” LED solutions offer incredible value, proven reliability and are backed by our 10-year warranty.



APPLICATIONS

- Canopy
- Parking Garage
- Manufacturing
- Warehouse
- Walkway



FEATURES

- Integrated Photocontrol that Turns OFF Lighting When Sufficient Daylight is Available
- Integrated Motion Sensor that Reduces Light Output When An Area is Unoccupied
- Dimming Range Between 10% and 50% When Motion is Not Detected
- Different Lens Options for up to 20ft Mounting Height and 40ft Diameter Coverage
- Optional Remote Control for On-Site Motion Sensor Adjustment
- L90 > 190,000 Hours; L70 > 100,000 Hours (100W); Title 24 Compliant
- Die Cast Aluminum Housing (Matte White)
- High Performance Acrylic Optical Lens
- Surface Mount Bracket - Easy Installation and Maintenance
- Fixture Protection Class IP65

LED/DRIVER

- Standard Input Voltage 120/277V
- Power Factor > 0.93 @277V
- THD < 16% @277V
- Color Temperature 4000K/5000K
- 6kV Surge Protection - Optional 20kV
- CRI > 75

| Model | Input Power | CCT | Lm/W | Lumen | Dimensions |
|--------------------|-------------|-------|------|---------|----------------------|
| MHTL-SGL-38E-4K-U | 38W | 4000K | >114 | >4,000 | 12.4" x 12.4" x 5" |
| MHTL-SGL-48E-4K-U | 48W | 4000K | >120 | >5,500 | 12.4" x 12.4" x 5" |
| MHTL-SGL-50E-4K-U | 50W | 4000K | >105 | >4,900 | 12.4" x 12.4" x 5" |
| MHTL-SGL-72E-4K-U | 72W | 4000K | >115 | >7,900 | 12.4" x 12.4" x 5" |
| MHTL-SGL-100E-4K-U | 100W | 4000K | >106 | >10,000 | 12.4" x 12.4" x 6.5" |



Manufactured in the USA

Toll Free **888-511-7780** • www.mhtlighting.com



"SMART" LED SQUARE GARAGE

Integrated Controls Solution

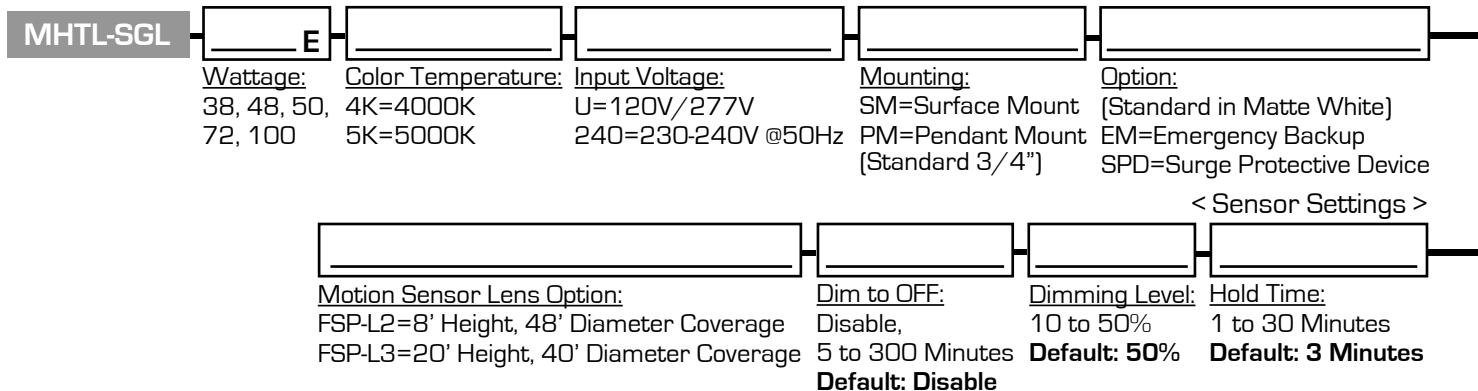
MHTL-SGL SMART SERIES

Project _____

Part No. _____

Quantity _____

ORDERING CODES



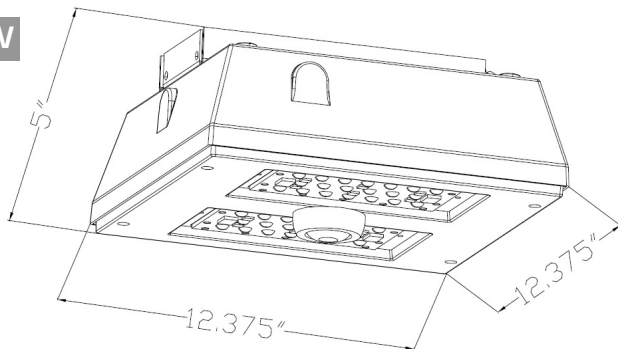
Hold Time - Time period for fixture remains at 100% output after motion is not detected

Dimming Level - Fixture Light level after **Hold Time**

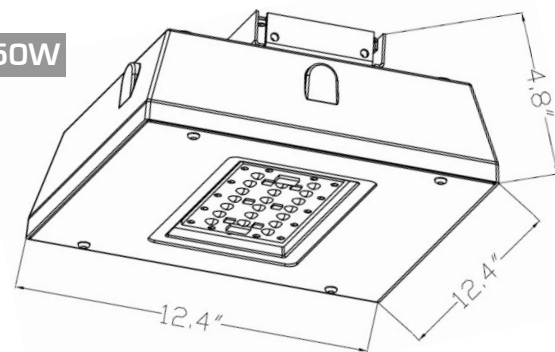
Dim to OFF - Time period for fixture remains at **Dimming Level** before goes OFF (Disable - Fixture won't go OFF)

DIMENSIONS

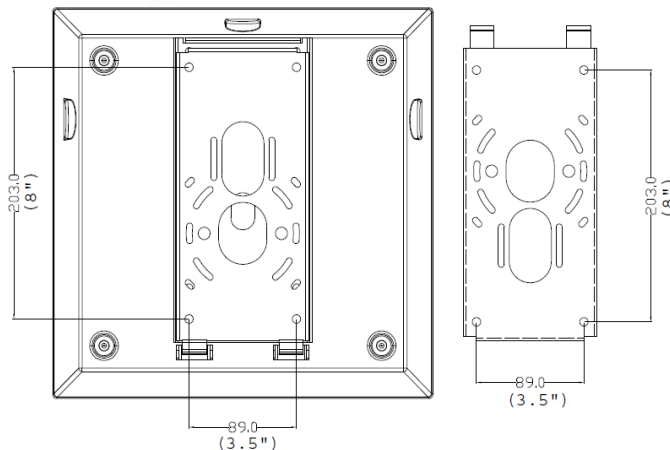
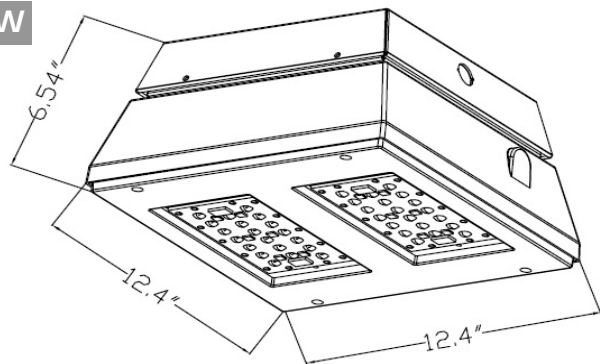
48/72W



38/50W



100W



- MHT Products are ETL Listed and Assembled in ISO9000/1 Certified US Facility
- MHT Lighting Offers a 10-year Warranty (See Warranty Terms and Conditions)
- Every Product is Quality Tested and Inspected Prior to Shipment
- Proudly Manufactured in the USA
- For Product IES Files Please Contact Your Local Reps

MHT Plant Operations

1961 Richmond Terrace
Staten Island, New York 10302
Tel: (718) 524-4370
Fax: (718) 524-4390

West Coast Operations

2285 Michael Faraday Dr. Suite 10
San Diego, California 92154
Tel: (619) 661-0600

www.mhtlighting.com

888-511-7780

MHT Confidential
Rev Date: December 2017