

“SMART” LED ROUND CANOPY

Integrated Controls Solution

MHTL-RCL SMART SERIES

Project _____

Part No. _____

Quantity _____

- Maximize efficiency, save on-site labor costs and controls coordination headaches. MHT’s fully integrated photocontrol, occupancy sensor and dimming ability can save up to 90% in energy costs! Making it the “Smart” Solution.

- Our proven “Smart” LED solutions offer incredible value, proven reliability and are backed by our 10-year warranty.



APPLICATIONS

- Canopy
- Parking Garage
- Manufacturing
- Warehouse
- Walkway

FEATURES



- Integrated Motion Sensor that Reduces Light Output When An Area is Unoccupied
- Dimming Range Between 20% and 50% When Motion is Not Detected
- Available Dim to OFF Feature When Light is Not Needed for Some Applications
- Motion Coverage Area is 40ft in Diameter at 15ft Mounting Height
- Title 24 Compliant
- L85 > 170,000 Hours
- Die Casted and Powder Coated Aluminum Housing
- Prismatic Polycarbonate Lens - Glare Free & Impact Resistant
- Fixture Protection Class IP54

LED/DRIVER

- 6kV Surge Protection
- Power Factor > 0.94 @277V
- THD < 10% @277V
- Color Temperature 5000K
- CRI > 75
- IP67 LED Driver

Model	Rated Wattage	Replaces	Lm/W	Lumen	Dimensions
MHTL-RCL-48E	48W	MH - 150W HPS - 150W	>100	>4,800	Ø15"x11.2"



Manufactured in the USA

Toll Free **888-511-7780** • www.mhtlighting.com



“SMART” LED ROUND CANOPY

Integrated Controls Solution

MHTL-RCL SMART SERIES

Project _____

Part No. _____

Quantity _____

ORDERING CODES

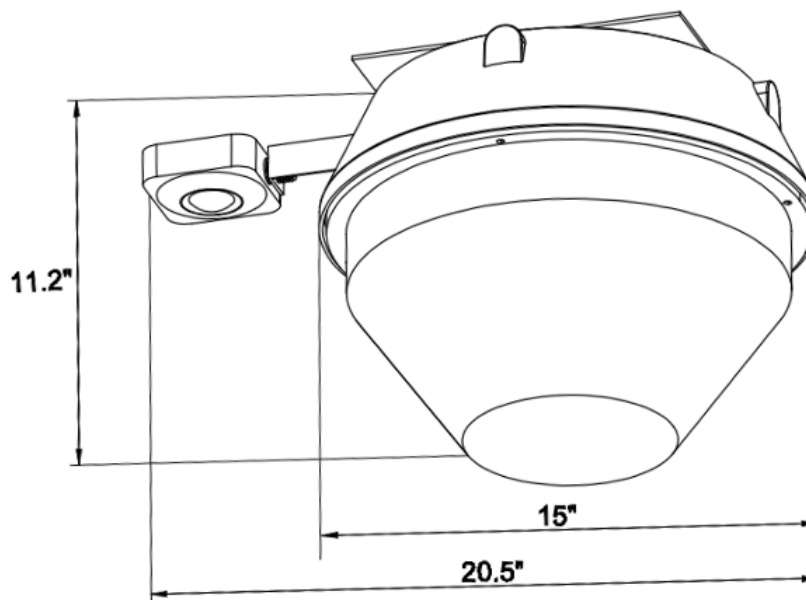
MHTL-RCL-48E

<u>Color Temp:</u> 5K = 5000K	<u>Input Voltage:</u> U = 120/277V 347 = 347V	<u>Mountings:</u> SMB = Surface Mount Bracket PM = Pendant Mount (Fits 3/4" or 1/2")	<u>Options:</u> (Custom Color Available. Standard in Dark Bronze) EB = Emergency Backup
----------------------------------	---	---	--

<input type="text"/>	<input type="text"/>	<input type="text"/>
----------------------	----------------------	----------------------

<u>Delay 2 (Dim to OFF):</u> Disable, 2.5 to 20 Minutes Default: Disable	<u>Delay 1 (to Dim):</u> 2.5 to 20 Minutes Default: 7.5 Minutes	<u>Dim Level:</u> 20% - 50% Default: 20%
--	--	---

DIMENSIONS



- Standard Surface Mount
- Optional 3/4" or 1/2" Pendant Mount
- Optional Surface Mount Bracket
- Standard 1ft Cord from the Top (Specify For Other Location and Length)

- MHT Products are ETL Listed and Assembled in ISO9000/1 Certified US Facility
- MHT Lighting Offers a 10-year Warranty (See Warranty Terms and Conditions)
- Every Product is Quality Tested and Inspected Prior to Shipment
- Proudly Manufactured in the USA. Meets "Buy American" Requirements within the ARRA
- Product is a DesignLights Consortium Qualified Luminaire
- For Product IES Files Please Contact Your Local Reps

MHT Plant Operations

1961 Richmond Terrace
Staten Island, New York 10302
Tel: (718) 524-4370
Fax: (718) 524-4390

West Coast Operations

9543 Heinrich Hertz Dr. Suite 5
San Diego, California 92154
Tel: (619) 661-0600
Fax: (619) 661-0607

www.mhtlighting.com

888-511-7780

MHT Confidential
Rev Date: May 2016