

# “SMART” LED SQUARE CANOPY

Integrated Controls Solution

## MHTL-CL SMART SERIES

Project \_\_\_\_\_

Part No. \_\_\_\_\_

Quantity \_\_\_\_\_

- Maximize efficiency, save on-site labor costs and controls coordination headaches. MHT’s fully integrated photocontrol, occupancy sensor and dimming ability can save up to 90% in energy costs! Making it the “Smart” Solution.

- Our proven “Smart” LED solutions offer incredible value, proven reliability and are backed by our 10-year warranty.



### APPLICATIONS

- Canopy
- Parking Garage
- Manufacturing
- Warehouse
- Walkway

### FEATURES

- Integrated Microwave Motion Sensor that Reduces Light Output When An Area is Unoccupied
- Dimming Range Between 10% and 50% When Motion is Not Detected
- Available Dim to OFF Feature When Light is Not Needed
- Motion Coverage Area is 40ft in Diameter at 10ft Mounting Height
- Title 24 Compliant
- L90 > 130,000 Hours (45W); L90 > 48,000 Hours (65W)
- Die Cast Aluminum Housing (Dark Bronze)
- Prismatic Polycarbonate Lens - Glare Free & Impact Resistant
- Available in Low Profiled Lens - See MHTL-LPCL Spec Sheet
- Available Integrated Emergency Battery Backup



### LED/DRIVER

- Standard Input Voltage 120/277V
- Power Factor > 0.90 @277V
- THD < 15% @277V
- Color Temperature 4000K/5000K
- CRI > 75
- 6kV Surge Protection

Model	Input Power	CCT	Lm/W	Lumen	Dimensions
MHTL-CL-45E-4K-U	45W	4000K	102	4,200	12.4" x 12.4" x 8.6"
MHTL-CL-65E-4K-U	65W	4000K	102	6,200	12.4" x 12.4" x 8.6"



Manufactured in the USA

Toll Free **888-511-7780** • [www.mhtlighting.com](http://www.mhtlighting.com)



# “SMART” LED SQUARE CANOPY

Integrated Controls Solution

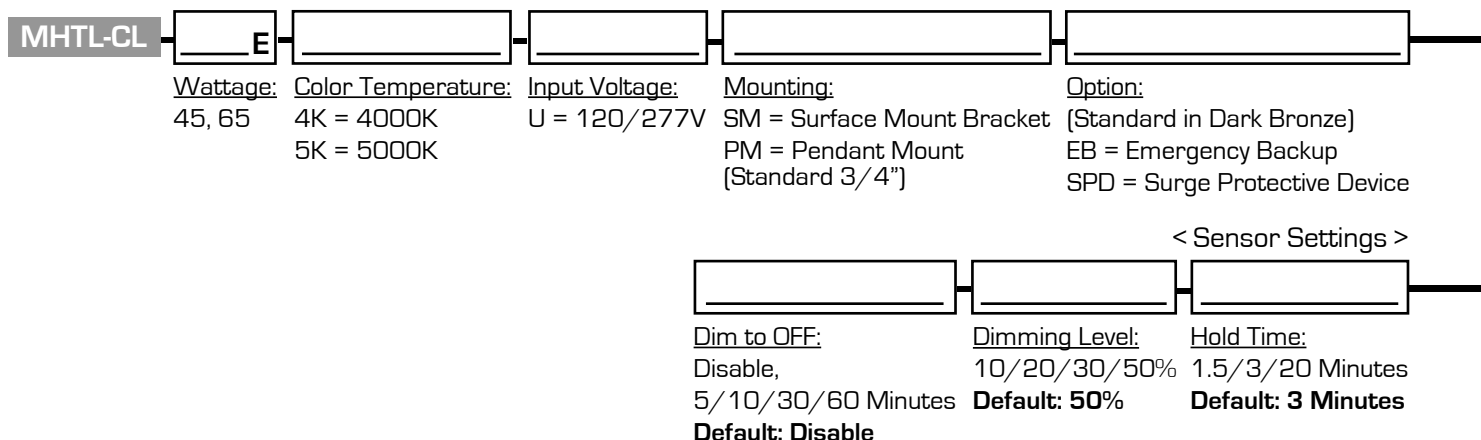
## MHTL-CL SMART SERIES

Project \_\_\_\_\_

Part No. \_\_\_\_\_

Quantity \_\_\_\_\_

### ORDERING CODES

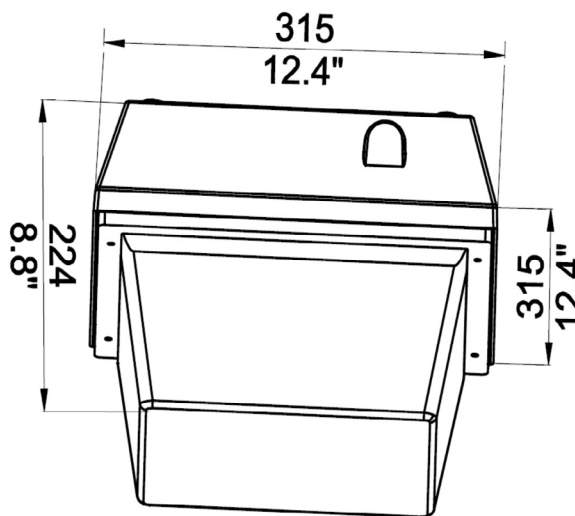


**Hold Time** - Time period for fixture remains at 100% output after motion is not detected

**Dimming Level** - Fixture Light level after **Hold Time**

**Dim to OFF** - Time period for fixture remains at **Dimming Level** before goes OFF (Disable - Fixture won't go OFF)

### DIMENSIONS



- Standard Flush Ceiling Surface Mount
- Optional 3/4" or 1/2" Pendant Mount
- Optional Quick Connect Surface Mount Bracket
- Standard 1ft Cord from the Top Side

- MHT Products are ETL Listed and Assembled in ISO9000/1 Certified US Facility
- MHT Lighting Offers a 10-year Warranty (See Warranty Terms and Conditions)
- Every Product is Quality Tested and Inspected Prior to Shipment
- Proudly Manufactured in the USA
- For Product IES Files Please Contact Your Local Reps

#### MHT Plant Operations

1961 Richmond Terrace  
Staten Island, New York 10302  
Tel: (718) 524-4370  
Fax: (718) 524-4390

#### West Coast Operations

2285 Michael Faraday Dr. Suite 10  
San Diego, California 92154  
Tel: (619) 661-0600

[www.mhtlighting.com](http://www.mhtlighting.com)

**888-511-7780**

MHT Confidential  
Rev Date: December 2017