

“SMART” LED HIGH/LOW BAY

Integrated Controls Solution

MHTL-HLB-CC SMART SERIES

Project _____

Part No. _____

Quantity _____

- Maximize efficiency, save on-site labor costs and controls coordination headaches. MHT’s fully integrated photocontrol, occupancy sensor and dimming ability can save up to 90% in energy costs! Making it the “Smart” Solution.

- Our proven “Smart” LED solutions offer incredible value, proven reliability and are backed by our 10-year warranty.



APPLICATIONS

- Data Center
- Distribution Center
- Gymnasium



FEATURES

- Attached Motion Sensor that Reduces Light Output When An Area is Unoccupied
- Dimming Range Between 10% and 50% (or Turns OFF) When Motion is Not Detected
- Different Lens Options for Open Area or Aisleway
- L70 > 64,000 Hours; Title 24 Compliant
- Die Cast Aluminum Housing (Matte White)
- Highly Efficient Die Cast Aluminum Heat Sink
- Frosted Finished PC Lens - Glare Free & Impact Resistance
- Wide Spread Light Distribution
- Fixture IP 65 Protection

LED/DRIVER

- Standard Input Voltage 120/277V
- Power Factor > 0.95 @277V
- THD < 10% @277V
- Color Temperature 3500K/4000K/5000K
- 6kV Surge Protection
- CRI > 75

Model	Input Power	Lm/W	Lumen	Dimensions
MHTL-HLB-CC-95E-35K-U	95W	119	11,000	Ø16" x 15.2"
MHTL-HLB-CC-115E-35K-U	115W	118	13,200	Ø16" x 15.2"
MHTL-HLB-CC-150E-35K-U	150W	114	16,700	Ø16" x 15.2"



Manufactured in the USA

Toll Free **888-511-7780** • www.mhtlighting.com



“SMART” LED HIGH/LOW BAY

Integrated Controls Solution

MHTL-HLB-CC SMART SERIES

Project _____

Part No. _____

Quantity _____

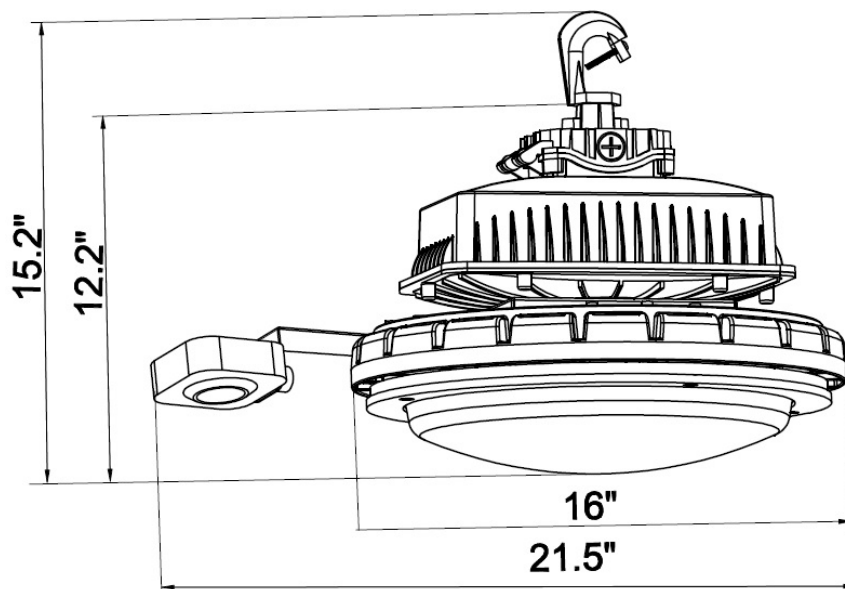
ORDERING CODES

MHTL-HLB-CC	<input type="text"/>	<input type="text"/>	<input type="text"/>	<input type="text"/>	<input type="text"/>
	E				
<u>Wattage:</u>	<u>Color Temp:</u>	<u>Input Voltage:</u>	<u>Mounting:</u>	<u>Option:</u>	
95, 115, 150	35K=3500K 4K=4000K 5K=5000K	U=120/277V 347=347V	PM=Pendant Mount (Standard 3/4")	(Standard in Matte White) AC=Aircraft Cable WG=Wire Guard CP=Cord & Plug (Specify Cord & Plug) SPD=Surge Protective Device	
				< Sensor Settings >	
	<input type="text"/>	<input type="text"/>	<input type="text"/>		
<u>Motion Sensor Lens Option:</u>	<u>Dimming Level:</u>	<u>Hold Time:</u>			
360=360° (45ft Height, 60ft Diameter Coverage) AW=Aisleway (40ft Height, 100ft x 5ft Linear Coverage)	10 to 50% or Disable Default: 50%	1 to 20 Minutes Default: 3 Minutes			

Hold Time - Time period for fixture remains at 100% output after motion is not detected

Dimming Level - Fixture Light level after **Hold Time** (Disable - Fixture goes OFF after **Hold Time**)

DIMENSIONS



- MHT Products are ETL Listed and Assembled in ISO9000/1 Certified US Facility
- MHT Lighting Offers a 10-year Warranty (See Warranty Terms and Conditions)
- Every Product is Quality Tested and Inspected Prior to Shipment
- Proudly Manufactured in the USA
- For Product IES Files Please Contact Your Local Reps

MHT Plant Operations

1961 Richmond Terrace
Staten Island, New York 10302
Tel: (718) 524-4370
Fax: (718) 524-4390

West Coast Operations

2285 Michael Faraday Dr. Suite 10
San Diego, California 92154
Tel: (619) 661-0600

www.mhtlighting.com

888-511-7780

MHT Confidential
Rev Date: December 2017