

LED VOLUMETRIC TROFFER - SMART

Integrated Controls Solution

MHTL-VOL-SC SERIES

Project _____

Part No. _____

Quantity _____

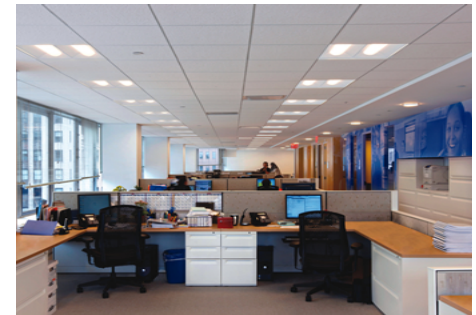


APPLICATIONS

- Corporate Campus
- Data Center
- Healthcare

FEATURES

- Title 24 Compliant
- L70 > 120,000 Hours
- Slim and Light Weight Steel Housing
- Frosted Finished Polycarbonate Lens
- Highly Reflective White Coating
- Standard Grid Mount and Surface Mount Option Available
- Integrated Motion Sensor that Reduces Light Output When Unoccupied
- Maximum and Minimum Light Levels Can be Set Based on Applications
- Available to Turn Off When Unoccupied
- Walking Motion Coverage - 36ft Diameter at 9ft Height and 60ft Diameter at 15ft Height
- Available with Integrated Emergency Battery Backup
- Programming Push Button Accessible without Opening Fixture
- "Smart" LED Solutions Offer Incredible Value, Proven Reliability and Are Backed by Our 10-year Warranty - (See Warranty Terms and Conditions)



LED/DRIVER

- Universal Input Voltage 120 - 277V
- Power Factor > 0.99 @120V
- THD < 10% @120V; CRI > 82
- Color Temperature 3500K/4000K/5000K

Model	Input Power	Lumen	CCT	Dimensions
MHTL-VOL-SC-2X2-38E-35K-U	38W	>4,200	3500K	23.75" x 23.75" x 3"
MHTL-VOL-SC-2X4-60E-35K-U	60W	>6,800	3500K	23.75" x 47.75" x 3"



Manufactured in the USA

Toll Free **888-511-7780** • www.mhtlighting.com



LED VOLUMETRIC TROFFER - SMART

Integrated Controls Solution

MHTL-VOL-SC SERIES

Project _____

Part No. _____

Quantity _____

ORDERING CODES

MHTL-VOL-SC

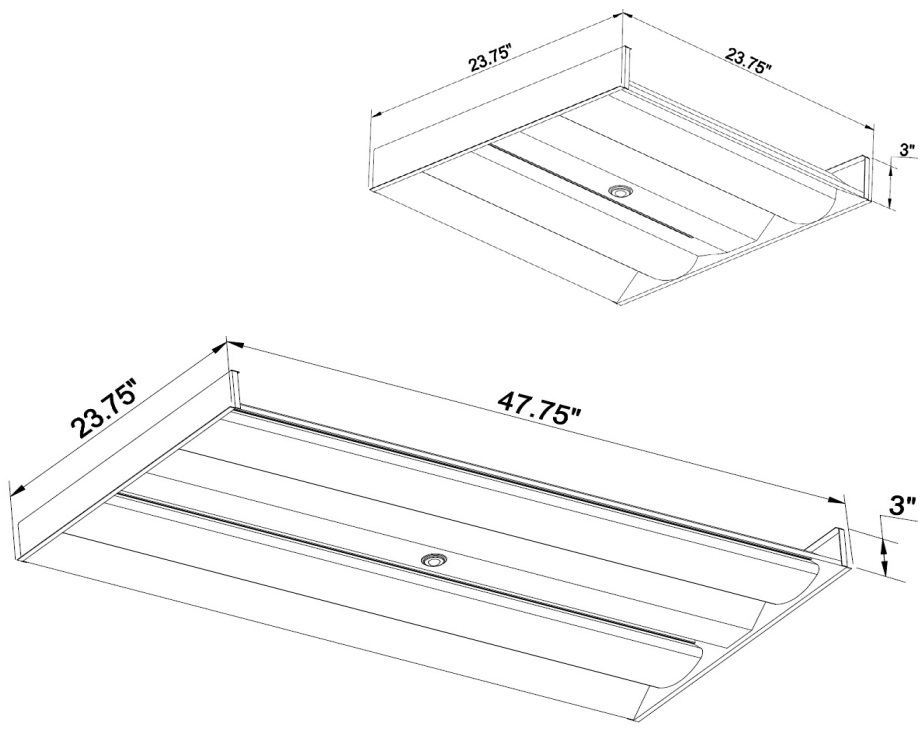
Wattage: Color Temp: Input Voltage: Mounting: Option:
 2X2-38E=38W 35K=3500K U=120-277V SM=Surface Mount Kit (Standard in White)
 2X4-60E=60W 4K=4000K DK=Recessed Drywall Kit EB=Emergency Backup
 5K=5000K

< Sensor Settings >

Motion Time Delay: Minimum Light Level: Maximum Light Level:
 2.5 to 20 Minutes 10% to 90% / OFF 50% to 100%
Default: 10 Minutes Default: 50% Default: 100%

MHTL-VOL-2X2-38E-4K-U and MHTL-VOL-2X4-60E-4K-U are DLC Listed Products

DIMENSIONS



- MHT Products are ETL Listed and Assembled in ISO9000/1 Certified US Facility
- MHT Lighting Offers a 10-year Warranty (See Warranty Terms and Conditions)
- Every Product is Quality Tested and Inspected Prior to Shipment
- Proudly Manufactured in the USA.

MHT Plant Operations
 1961 Richmond Terrace
 Staten Island, New York 10302
 Tel: (718) 524-4370
 Fax: (718) 524-4390

West Coast Operations
 2285 Michael Faraday Dr. Suite 10
 San Diego, California 92154
 Tel: (619) 661-0600

www.mhtlighting.com
888-511-7780

MHT Confidential
 Rev Date: December 2017