

# LED WRAPAROUND - SMART

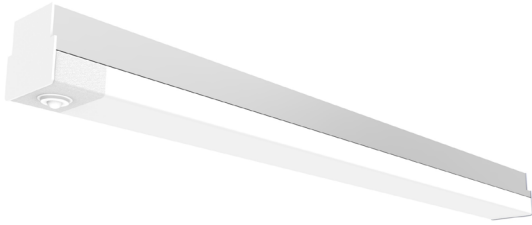
Integrated Controls Solution

## MHTL-STRP-SC SERIES

Project \_\_\_\_\_

Part No. \_\_\_\_\_

Quantity \_\_\_\_\_



## APPLICATIONS

- Data Center
- Hospitals
- Offices
- Schools

## FEATURES

- Title 24 Compliant
- L70 > 100,000 Hours
- Extruded White Finished Aluminum Housing
- Wraparound Prismatic Acrylic Lens
- Standard Ceiling/Wall Surface Mount, Optional Suspended Ready
- Integrated Motion Sensor that Reduces Light Output When Unoccupied
- Maximum and Minimum Light Levels Can be Set Based on Applications
- Available to Turn Off When Unoccupied
- Walking Motion Coverage - 36ft Diameter at 9ft Height and 60ft Diameter at 15ft Height
- Available with Integrated Emergency Battery Backup
- Programming Push Button Accessible without Opening Fixture
- "Smart" LED Solutions Offer Incredible Value, Proven Reliability and Are Backed by Our 10-year Warranty - (See Warranty Terms and Conditions)



## LED/DRIVER

- Universal Input Voltage 120 - 277V
- Power Factor > 0.99 @120V
- THD < 10% @120V; CRI > 82
- Color Temperature 3500K/4000K/5000K

Model	Input Power	Lumen	CCT	Dimensions
MHTL-STRP-SC-2FT-25E-4K-U	25W	2,600	4000K	24" x 4.17" x 3.54"
MHTL-STRP-SC-4FT-40E-4K-U	40W	4,200	4000K	48" x 4.17" x 3.54"
MHTL-STRP-SC-8FT-75E-4K-U	75W	7,900	4000K	96" x 4.17" x 3.54"



Manufactured in the USA

Toll Free **888-511-7780** • [www.mhtlighting.com](http://www.mhtlighting.com)



# LED WRAPAROUND - SMART

Integrated Controls Solution

## MHTL-STRP-SC SERIES

Project \_\_\_\_\_

Part No. \_\_\_\_\_

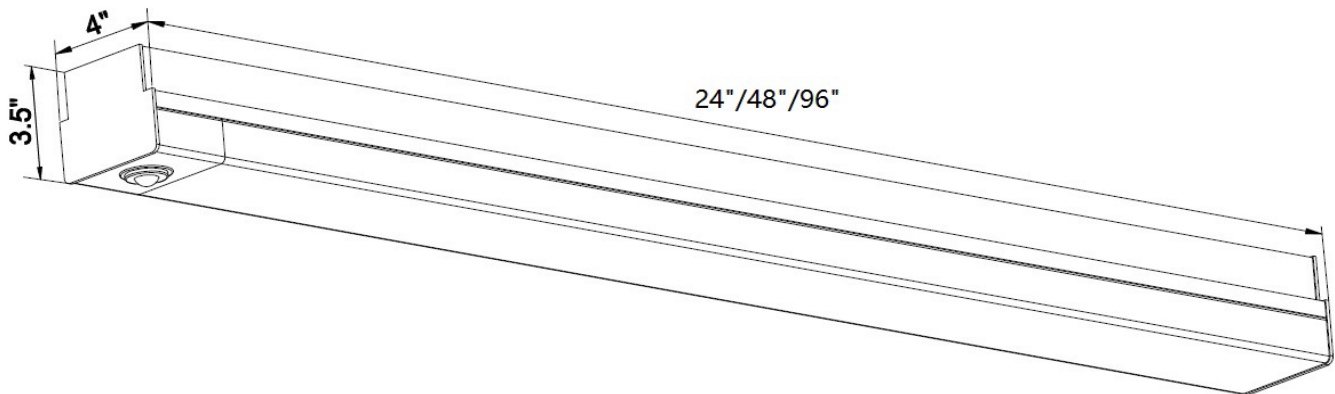
Quantity \_\_\_\_\_

### ORDERING CODES

MHTL-STRP-SC	<input type="text"/>	<input type="text"/>	<input type="text"/>	<input type="text"/>	<input type="text"/>
	<u>Wattage:</u>	<u>Color Temp:</u>	<u>Input Voltage:</u>	<u>Mounting:</u>	<u>Option:</u>
	2FT-25E=25W	35K=3500K	U=120-277V	SM=Surface Mount	CR=Continuous Row
	4FT-40E=40W	4K=4000K		PM=Suspended/ Pedant Ready	EB=Emergency Backup
	8FT-75E=75W	5K=5000K			
					< Sensor Settings >
	<input type="text"/>	<input type="text"/>	<input type="text"/>		
	<u>Motion Time Delay:</u>	<u>Minimum Light Level:</u>	<u>Maximum Light Level:</u>		
	2.5 to 20 Minutes	10% to 90% / OFF	50% to 100%		
	<b>Default: 10 Minutes</b>	<b>Default: 50%</b>	<b>Default: 100%</b>		

MHTL-STRP-2FT-25E-4K-U and MHTL-STRP-4FT-40E-4K-U are DLC Listed Product

### DIMENSIONS



- MHT Products are ETL Listed and Assembled in ISO9000/1 Certified US Facility
- MHT Lighting Offers a 10-year Warranty (See Warranty Terms and Conditions)
- Every Product is Quality Tested and Inspected Prior to Shipment
- Proudly Manufactured in the USA

#### MHT Plant Operations

1961 Richmond Terrace  
 Staten Island, New York 10302  
 Tel: (718) 524-4370  
 Fax: (718) 524-4390

#### West Coast Operations

2285 Michael Faraday Dr. Suite 10  
 San Diego, California 92154  
 Tel: (619) 661-0600

[www.mhtlighting.com](http://www.mhtlighting.com)

**888-511-7780**

MHT Confidential  
 Rev Date: December 2017