

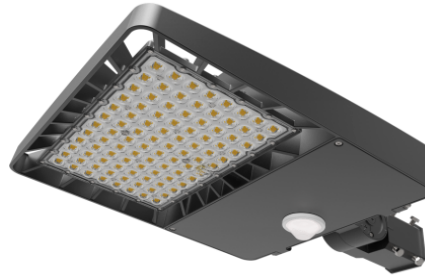
# “SMART” LED SHOEBOX -Integrated Controls Solution

## MHTL-SB-PRM SMART SERIES

Project \_\_\_\_\_  
 Part No. \_\_\_\_\_  
 Quantity \_\_\_\_\_

- Maximize efficiency, save on-site labor costs and controls coordination headaches. MHT’s fully integrated photocontrol, occupancy sensor and dimming ability can save up to 90% in energy costs! Making it the “Smart” Solution.

- Our proven “Smart” LED solutions offer incredible value, proven reliability and are backed by our 10-year warranty.



### APPLICATIONS

- Area Lighting
- Parking Lots
- Flood Applications
- Parks
- Streets



### FEATURES

- Integrated Photocontrol that Turns OFF Lighting When Sufficient Daylight is Available
- Integrated Motion Sensor that Reduces Light Output When An Area is Unoccupied
- Dimming Range Between 10% and 50% When Motion is Not Detected
- Different Lens Options for up to 40ft Mounting Height and 100ft Diameter Coverage
- Optional Remote Control for On-Site Motion Sensor Adjustment
- L70>79,000 Hours; Title 24 Compliant
- Die Cast Magnesium Aluminum Housing (Dark Bronze)
- High Performance Acrylic Optical Lens
- Lightweight and Compact Design - 14 lbs
- Fixture Protection Class IP66
- Type II, III, IV or V Light Distribution
- Straight Arm (For Round or Square Pole), Swivel Mount or Slip Fitter Mount

### LED/DRIVER

- Standard Input Voltage 120/277V
- Power Factor > 0.95 @277V
- THD < 15% @277V; CRI > 80
- Color Temperature 4000K/5000K
- 6kV Surge Protection - Optional 20kV
- Meanwell LED Driver and Nichia LEDs

Model	Input Power	Lm/W	Lumen	Dimensions	EPA at 0° (ft²)
MHTL-SB-PRM-100E-4K-U-T5	100W	150	15,000	17.4" x 15" x 3.3"	1.8
MHTL-SB-PRM-120E-4K-U-T5	120W	150	18,000	17.4" x 15" x 3.3"	1.8
MHTL-SB-PRM-150E-4K-U-T5	150W	150	22,000	17.4" x 15" x 3.3"	1.8
MHTL-SB-PRM-180E-4K-U-T5	180W	150	27,000	17.4" x 15" x 3.3"	1.8
MHTL-SB-PRM-200E-4K-U-T5	200W	150	30,000	17.4" x 15" x 3.3"	1.8



Manufactured in the USA

Toll Free **888-511-7780** • [www.mhtlighting.com](http://www.mhtlighting.com)



# “SMART” LED SHOEBOX - Integrated Controls Solution

## MHTL-SB-PRM SMART SERIES

Project \_\_\_\_\_  
 Part No. \_\_\_\_\_  
 Quantity \_\_\_\_\_

### ORDERING CODES

MHTL-SB-PRM  **E**

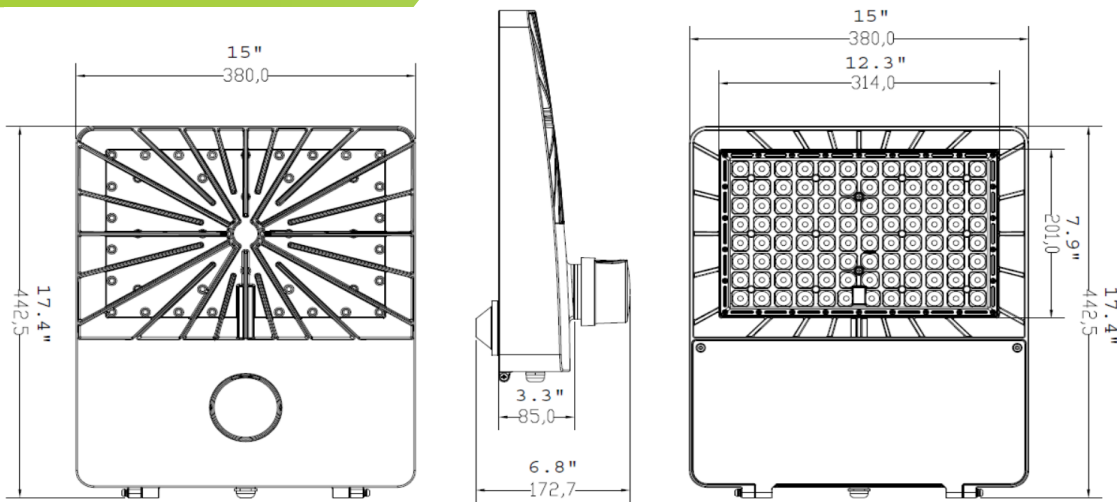
<b>Wattage:</b> 100, 120, 150, 180, 200	<b>Color Temp:</b> 4K=4000K 5K=5000K	<b>Input Voltage:</b> U=120V/277V 240=230-240V @50Hz	<b>Distribution:</b> T2=Type II T3=Type III T4=Type IV T5=Type V	<b>Mounting:</b> EA6R=6" Arm (Round) EA6S=6" Arm (Square) SF=Slip Fitter SW=Swivel	<b>Option:</b> (Standard in Dark Bronze) SPD=Surge Protective Device
--	--	---	--	--	--

< Sensor Settings >

<input type="text"/>	<input type="text"/>	<input type="text"/>	<input type="text"/>
<b>Motion Sensor Lens Option:</b> FSP-L3=20' Height, 40' Diameter Coverage FSP-L7=40' Height, 100' Diameter Coverage	<b>Dim to OFF:</b> Disable, 5 to 300 Minutes <b>Default: Disable</b>	<b>Dimming Level:</b> 10 to 50% <b>Default: 50%</b>	<b>Hold Time:</b> 1 to 30 Minutes <b>Default: 3 Minutes</b>

**Hold Time** - Time period for fixture remains at 100% output after motion is not detected  
**Dimming Level** - Fixture Light level after **Hold Time**  
**Dim to OFF** - Time period for fixture remains at **Dimming Level** before goes OFF (Disable - Fixture won't go OFF)

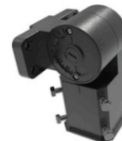
### DIMENSIONS



**EA6S** - 6" Extruded Arm For Square Pole  
 (Non-Adjustable. 1ft Cord is Included)



**EA6R** - 6" Extruded Arm For Round Pole  
 (Non-Adjustable. 1ft Cord is Included)



**SF** - Slip Fitter Mount  
 (Adjustable. 1ft Leads are Included)



**SW** - Swivel Mount Bracket  
 (Adjustable. 1ft Leads are Included)

- MHT Products are UL Listed and Assembled in ISO9000/1 Certified US Facility
- MHT Lighting Offers a 10-year Warranty (See Warranty Terms and Conditions)
- Every Product is Quality Tested and Inspected Prior to Shipment
- Proudly Manufactured in the USA
- For Product IES Files Please Contact Your Local Reps

**MHT Plant Operations**  
 1961 Richmond Terrace  
 Staten Island, New York 10302  
 Tel: (718) 524-4370  
 Fax: (718) 524-4390

**West Coast Operations**  
 2285 Michael Faraday Dr. Suite 10  
 San Diego, California 92154  
 Tel: (619) 661-0600

**www.mhtlighting.com**  
**888-511-7780**