

“SMART” LED LINEAR HIGH BAY

Integrated Controls Solution

MHTL-LHB-PRM SMART SERIES

Project _____

Part No. _____

Quantity _____

- Maximize efficiency, save on-site labor costs and controls coordination headaches. MHT’s fully integrated photocontrol, occupancy sensor and dimming ability can save up to 90% in energy costs! Making it the “Smart” Solution.

- Our proven “Smart” LED solutions offer incredible value, proven reliability and are backed by our 10-year warranty.



APPLICATIONS

- Convention Center
- Hangers
- Manufacturing
- Warehouse

FEATURES

- Attached Motion Sensor that Reduces Light Output When An Area is Unoccupied
- Dimming Range Between 10% and 50% (or Turns OFF) When Motion is Not Detected
- Different Lens Options for Open Area or Aisleway
- L70 > 100,000 Hours; Title 24 Compliant
- Combination of Aluminum Extrusion and Steel Housing (White)
- Easy Access on Top for Driver and Wiring
- Standard Clear PC Lens - Optional Opal Lens (115° X 105° Distribution)
- Standard 6ft Adjustable Aircraft Cable Mount



LED/DRIVER

- Standard Input Voltage 120/277V
- Optional Input Voltage 347V
- Power Factor > 0.9 @277V
- THD < 15% @277V; CRI > 80
- Color Temperature 4000K/5000K
- 6kV Surge Protection

Model	Input Power	Lm/W	Lumen	CCT	Dimensions
MHTL-LHB-PRM-80E-4K	80W	127	11,217	4000K	22.71" x 9.6" x 2.3"
MHTL-LHB-PRM-100E-4K	100W	128	13,128	4000K	43.07" x 9.6" x 2.3"
MHTL-LHB-PRM-120E-4K	120W	128	15,254	4000K	43.07" x 9.6" x 2.3"
MHTL-LHB-PRM-150E-4K	150W	129	20,754	4000K	43.07" x 9.6" x 2.3"
MHTL-LHB-PRM-200E-4K	200W	127	25,999	4000K	43.07" x 9.6" x 2.3"
MHTL-LHB-PRM-240E-4K	240W	127	31,361	4000K	43.07" x 14.12" x 2.3"
MHTL-LHB-PRM-300E-4K	300W	127	38,826	4000K	43.07" x 14.12" x 2.3"
MHTL-LHB-PRM-600E-4K	600W	126	78,482	4000K	43.07" x 18.58" x 2.3"



Manufactured in the USA

Toll Free **888-511-7780** • www.mhtlighting.com



“SMART” LED LINEAR HIGH BAY

Integrated Controls Solution

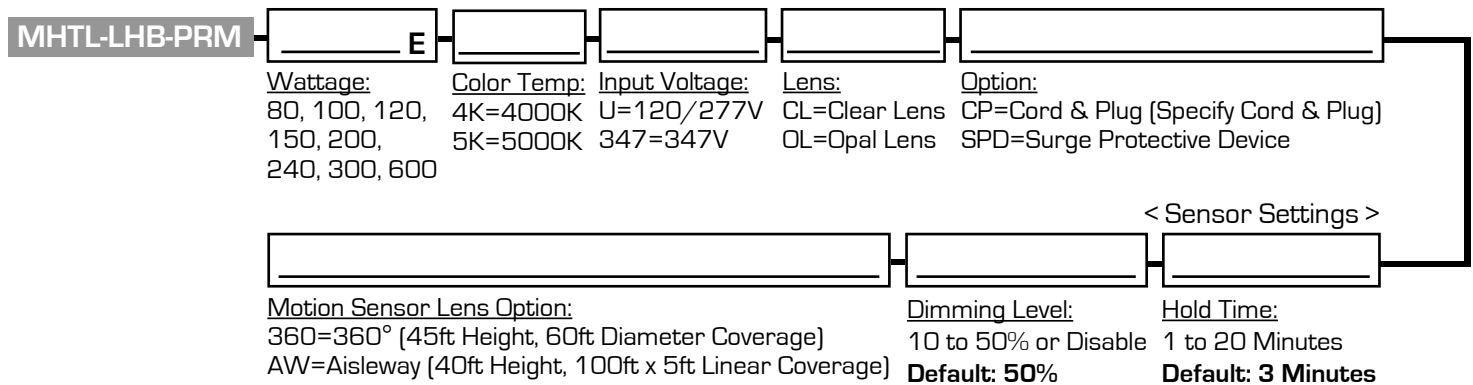
MHTL-LHB-PRM SMART SERIES

Project _____

Part No. _____

Quantity _____

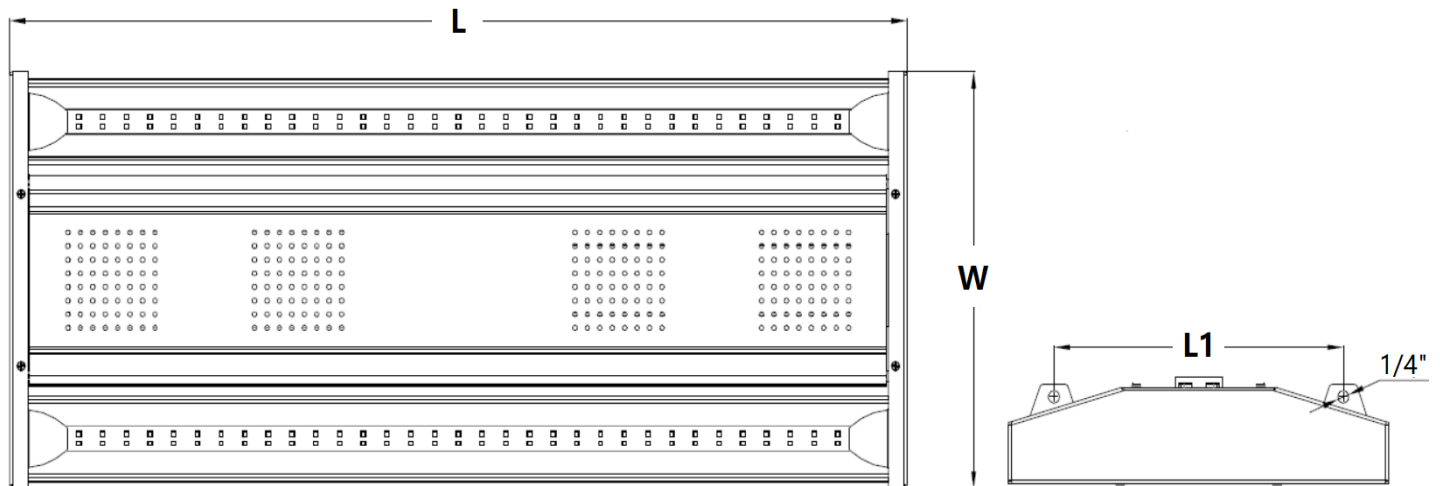
ORDERING CODES



Hold Time - Time period for fixture remains at 100% output after motion is not detected

Dimming Level - Fixture Light level after **Hold Time** (Disable - Fixture goes OFF after **Hold Time**)

DIMENSIONS



Standard 2ft Power Cable From the Top Side

	inch (mm)			
Model	L	W	L1	Height
80W	22.71 (577)	9.60 (244)	7.32 (186)	2.30 (58)
100W / 120W / 150W / 200W	43.07 (1094)	9.60 (244)	7.32 (186)	2.30 (58)
240W / 300W	43.07 (1094)	14.12 (358)	11.81 (300)	2.30 (58)
600W	43.07 (1094)	18.58 (472)	16.30 (414)	2.30 (58)

- MHT Products are UL Listed and Assembled in ISO9000/1 Certified US Facility
- MHT Lighting Offers a 10-year Warranty (See Warranty Terms and Conditions)
- Every Product is Quality Tested and Inspected Prior to Shipment
- Proudly Manufactured in the USA
- For Product IES Files Please Contact Your Local Reps

MHT Plant Operations

1961 Richmond Terrace
 Staten Island, New York 10302
 Tel: (718) 524-4370
 Fax: (718) 524-4390

West Coast Operations

2285 Michael Faraday Dr. Suite 10
 San Diego, California 92154
 Tel: (619) 661-0600

www.mhtlighting.com

888-511-7780

MHT Confidential
 Rev Date: December 2017