

“SMART” LED ROADWAY -Integrated Controls Solution

MHTL-RW SMART SERIES

Project _____
 Part No. _____
 Quantity _____

- Maximize efficiency, save on-site labor costs and controls coordination headaches. MHT's fully integrated photocontrol, occupancy sensor and dimming ability can save up to 90% in energy costs! Making it the “Smart” Solution.

- Our proven “Smart” LED solutions offer incredible value, proven reliability and are backed by our 10-year warranty.



APPLICATIONS

- Street Lighting
- Intersections
- Parking Lots
- Public Areas



FEATURES

- Integrated Photocontrol that Turns OFF Lighting When Sufficient Daylight is Available
- Integrated Motion Sensor that Reduces Light Output When An Area is Unoccupied
- Dimming Range Between 10% and 50% When Motion is Not Detected
- Different Lens Options for up to 40ft Mounting Height and 100ft Diameter Coverage
- Optional Remote Control for On-Site Motion Sensor Adjustment
- Die Cast Aluminum Housing (Grey)
- Fits O.D. Ø2”~2.36” Round Pole
- Type III or Type V Distribution
- Tool-less Entry for Easy Installation and Maintenance

LED/DRIVER

- Standard Input Voltage 120/277V
- Power Factor > 0.95 @277V
- IP67 Rated LED Driver and Module
- Color Temperature 3000K/4000K/5000K
- THD < 10% @277V; CRI > 75
- 6kV Surge Protection - Optional 20kV

Model	Input Power	Lumen	Dimensions	EPA at 0° (ft²)
MHTL-RW-48E-4K-U	48W	5,300	18.3" x 11.5" x 5"	1.46
MHTL-RW-72E-4K-U	72W	8,000	18.3" x 11.5" x 5"	1.46
MHTL-RW-98E-4K-U	98W	11,000	23.2" x 11.5" x 5"	1.85
MHTL-RW-120E-4K-U	120W	13,000	23.2" x 11.5" x 5"	1.85
MHTL-RW-137E-4K-U	137W	15,000	23.2" x 11.5" x 5"	1.85
MHTL-RW-150E-4K-U	150W	16,500	28.1" x 11.5" x 5"	2.24
MHTL-RW-187E-4K-U	187W	20,500	28.1" x 11.5" x 5"	2.24
MHTL-RW-215E-4K-U	215W	24,000	28.1" x 11.5" x 5"	2.24



Manufactured in the USA

Toll Free **888-511-7780** • www.mhtlighting.com

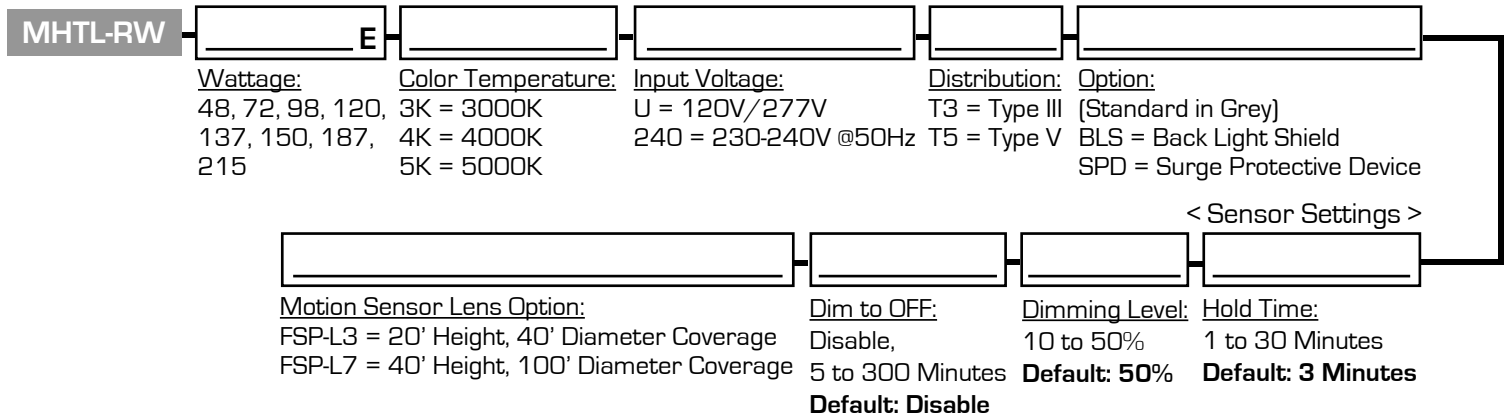


"SMART" LED ROADWAY - Integrated Controls Solution

MHTL-RW SMART SERIES

Project _____
 Part No. _____
 Quantity _____

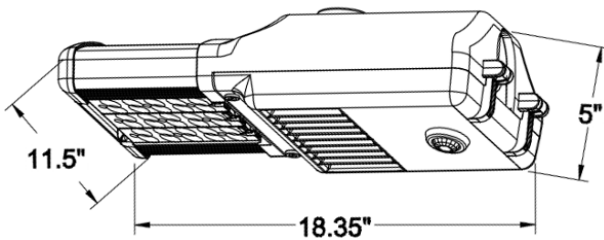
ORDERING CODES



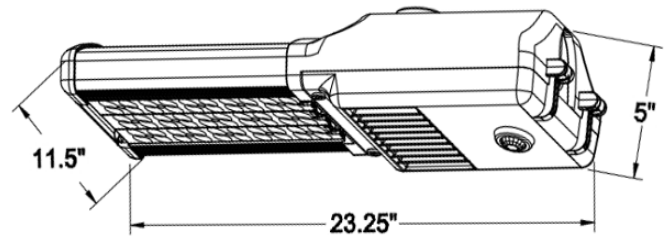
Hold Time - Time period for fixture remains at 100% output after motion is not detected
Dimming Level - Fixture Light level after **Hold Time**
Dim to OFF - Time period for fixture remains at **Dimming Level** before goes OFF (Disable - Fixture won't go OFF)

DIMENSIONS

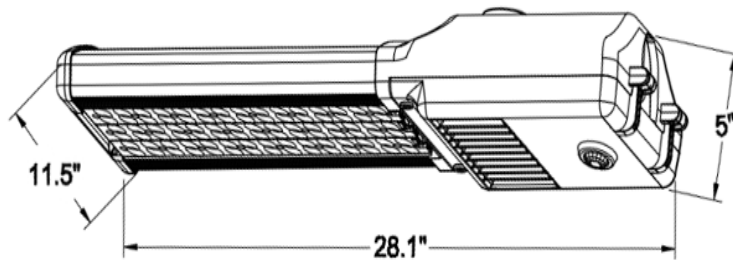
48W/72W



98W/120W/137W



150W/187W/215W



- MHT Products are ETL Listed and Assembled in ISO9000/1 Certified US Facility
- MHT Lighting Offers a 10-year Warranty (See Warranty Terms and Conditions)
- Every Product is Quality Tested and Inspected Prior to Shipment
- Proudly Manufactured in the USA
- For Product IES Files Please Contact Your Local Reps

MHT Plant Operations
 1961 Richmond Terrace
 Staten Island, New York 10302
 Tel: (718) 524-4370
 Fax: (718) 524-4390

West Coast Operations
 2285 Michael Faraday Dr. Suite 10
 San Diego, California 92154
 Tel: (619) 661-0600

www.mhtlighting.com
888-511-7780

MHT Confidential
 Rev Date: December 2017