

MHTL-RCL-PRM Installation Instruction

Please read the instruction carefully before installation and preserve this manual for future reference.

Note

Sulfide and corrosive chemical materials will damage the housing and surface, even damage the chip inside. The suggested ambient temperature is -4F to 104F, if exceed this range, the lifespan will be affected.

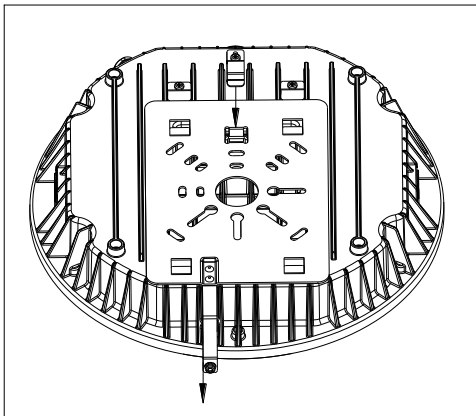
Warning

1. Please cut off the power supply before installation.
2. Please do not connect this product to high voltage power supply before installation and strictly follow the rated parameters.
3. If the external wires are damaged, replacement or maintenance can only be performed by qualified people after power cut off.
4. In the process of installation, it is forbidden to use violent means to installation.

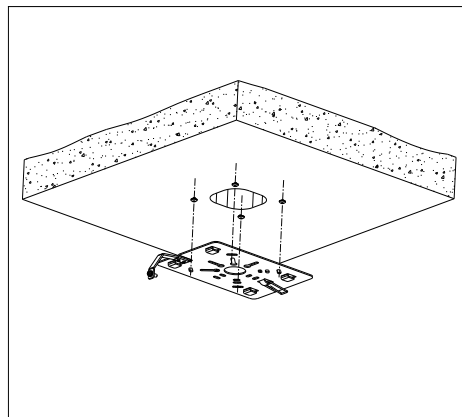
Installation

1. Surface Mount

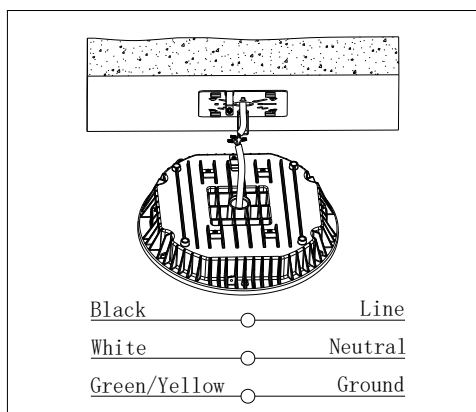
Step 1: Remove back plate from the back of the fixture.



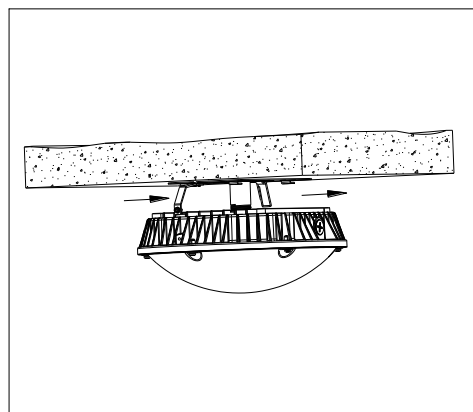
Step 2: Install back plate on ceiling or in-ceiling i-box.



Step 3: Connect power source to fixture.

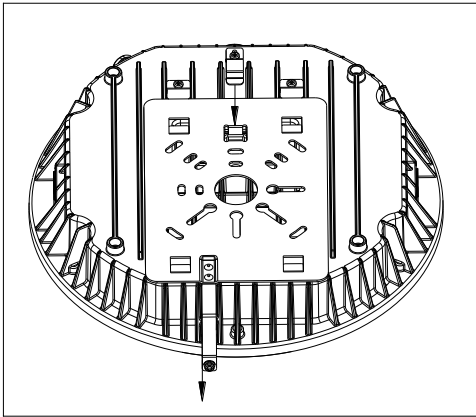


Step 4: Install fixture on the plate.

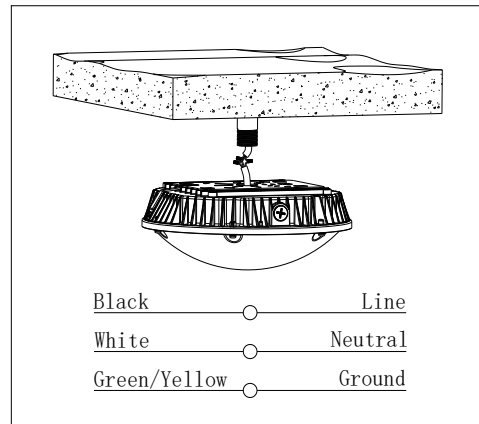


2. Pendent with 3/4 inch Conduit

Step 1: Remove back plate.



Step 2: Connect power source to fixture



Step 3: Screw on conduit.

